

# Jacuzzi J-385

## Specifications

<b>Seating Capacity</b> .....	6-7
<b>Dimensions</b> .....	91" x 91" x 37.50" (231 cm x 231 cm x 95.25 cm); <b>For complete dimensions, see page 103</b>
<b>Dry Weight</b> .....	850 lbs (386 kg)
<b>Filled Weight (Spa Volume)</b> .....	5,771 lbs (2,618 kg)
<b>Filled Weight (Average Fill)</b> .....	4,686 lbs (2,126 kg)
<b>Water Capacity (Spa Volume)</b> .....	590 US gallons (2,233 Liters)
<b>Water Capacity (Average Fill)</b> .....	460 US gallons (1,741 Liters)
<b>Electronic Controls</b> .....	Solid state electronic controls with LCD readout, programmable temperature, filtration, and heat cycles
<b>Pump 1</b> .....	North America (60 Hz): 1-Speed, 4.8 HP brake, 2.5 HP continuous, 56 Frame <b>Export (50 Hz): 1-Speed, 2.0 HP continuous</b>
<b>Pump 2</b> .....	North America (60 Hz): 1-Speed, 4.8 HP brake, 2.5 HP continuous, 56 Frame <b>Export (50 Hz): 1-Speed, 2.0 HP continuous</b>
<b>Circulation Pump</b> .....	Yes, 8-hour
<b>Heater</b> .....	North America (60 Hz): 5.5kW High Flow <b>Export (50 Hz) 2.7kW High Flow</b>
<b>Total PowerPro® Jets</b> .....	51
<b>Seat A Jets</b> .....	4 PowerPro® FX, 2 PowerPro® FX Large Rotational
<b>Seat B Jets</b> .....	1 PowerPro® FX Rotational, 2 PowerPro® FX Large
<b>Seat C Jets</b> .....	2 PowerPro® NX2, 2 PowerPro® FX Rotational, 4 PowerPro® FX, 2 PowerPro® FX Large
<b>Seat D Jets</b> .....	2 PowerPro® FX Large Rotational
<b>Seat E Jets</b> .....	10 PowerPro® FX, 2 PowerPro® FX Rotational, 2 PowerPro® BX
<b>Seat E HYDROSOOTHE™ Jets</b> .....	2 PowerPro® FX Directional with independent flow rate valve
<b>Seat F Jets</b> .....	2 PowerPro® NX2, 3 PowerPro® MX
<b>Footwell (G)</b> .....	8 PowerPro® FX Small, 1 PowerPro® FX
<b>Massage Selectors</b> .....	2
<b>Air Controls</b> .....	4, On/Off rocker switch air controller
<b>Water Management System</b> .....	Two 60 ft² Filter cartridges; filter 1 on 8-hour circulation pump; filter 2 on jets pump 1; Factory installed CLEARRAY® Water Purification System <b>Export (50 Hz): Factory installed CLEARRAY® Water Purification System</b>
<b>LED Lighting</b> .....	One underwater prolite with 4 color modes, one colored waterfall light, cup holders, 2 HYDROSOOTHE pillow lights, and OPTIONAL exterior lights
<b>ProFinish™ Cabinet Colors</b> .....	Modern Hardwood, Brushed Gray, and Smoked Ebony
<b>Acrylic Colors</b> .....	Platinum, Silver Pearl, Sahara, Desert, Monaco, Midnight, Porcelain
<b>Headrests</b> .....	4
<b>Waterfalls</b> .....	One independent flow rate (on or off) adjustment; powered by the circulation pump
<b>Electrical Requirements:</b> .....	North America (60 Hz): 240 VAC@40A, 50A, or 60A <b>Export (50 Hz): 230-240 VAC@1x32A, 1x20A/1x16A, 3x16A or suitably rated circuit breaker to comply with local electrical codes. Certain countries may require dual power inputs; two GFCI RCD breakers are required for this configuration.</b>
<b>Warranty*</b> .....	North America (60 Hz): 10 Years Shell, 7 Years Shell Surface, 5 Years for Plumbing Component Leaks, 5 Years Equipment and Controls, 5 Years Cabinet, 2 Years Jets, 2 Years Lights, 1 Year Stereo; <b>Export (50 Hz): 10 Years Shell, 7 Years Shell Surface, 5 Years Plumbing Component Leaks, 5 Years Equipment and Controls, 5 Years Cabinet, 2 Years Jets, 2 Years Lights, 2 Years Stereo</b>
<b>Special Features (Optional)</b> .....	SmartTub™ Module, Exterior Lights
<b>Audio System (Optional)</b> .....	BLUEWAVE® Spa Stereo System (Bluetooth/Aux compatible) with four speakers and a subwoofer

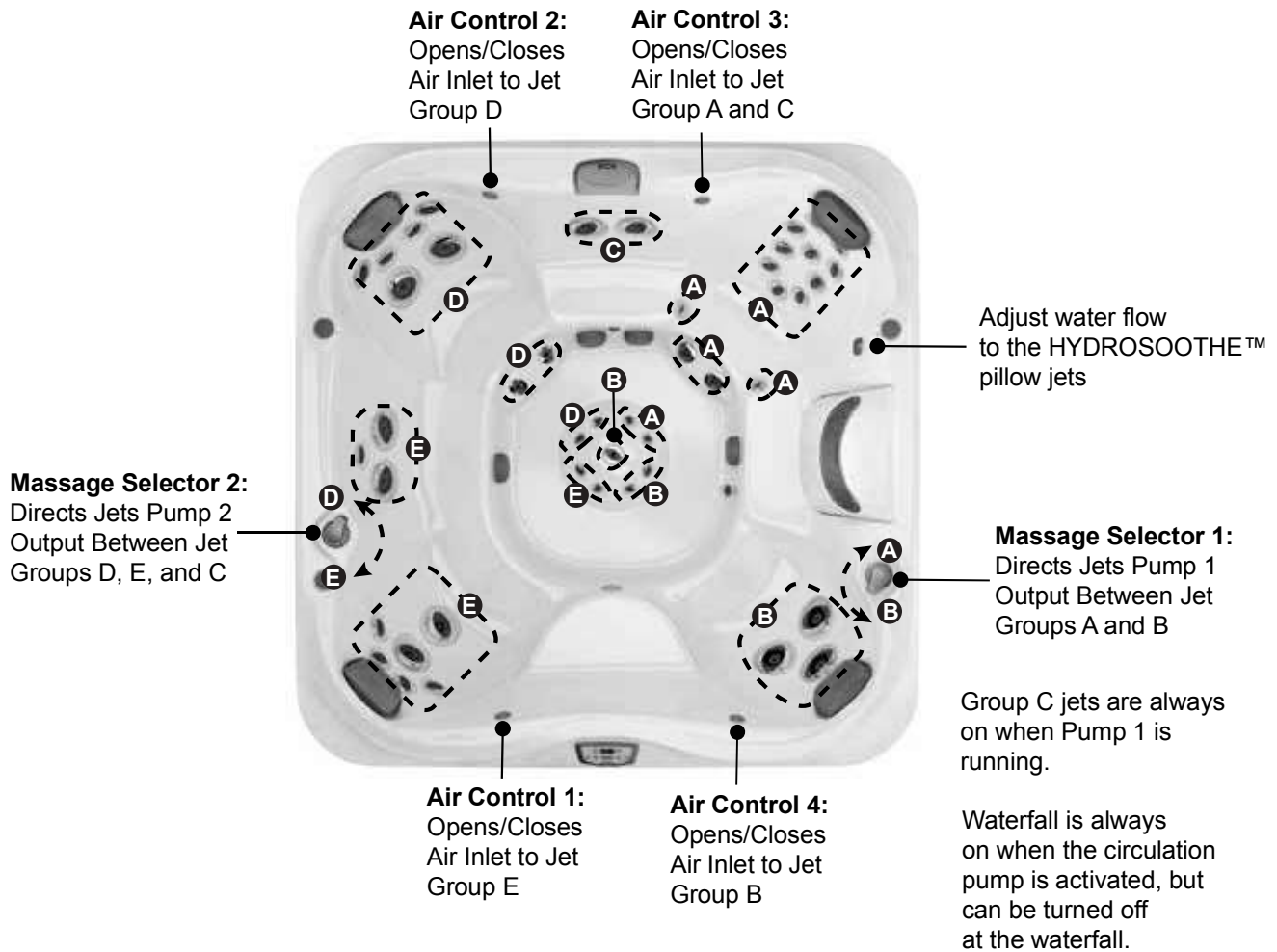


\*(See Warranty Document for Specific Details)

Dimensions/Specifications are Subject to Change Without Notice

# Jacuzzi J-385

## Operation/Seat Depths



### 51 Total Jets



## Seat Depths

**A = 26.50" (67.31 cm)**  
**B = 25.00" (63.50 cm)**  
**C = 26.75" (67.95 cm)**  
**D = 23.25" (59.06 cm)**  
**E = 28.25" (71.76 cm)**

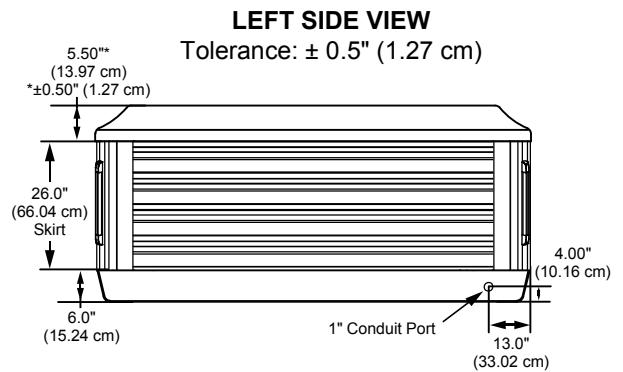
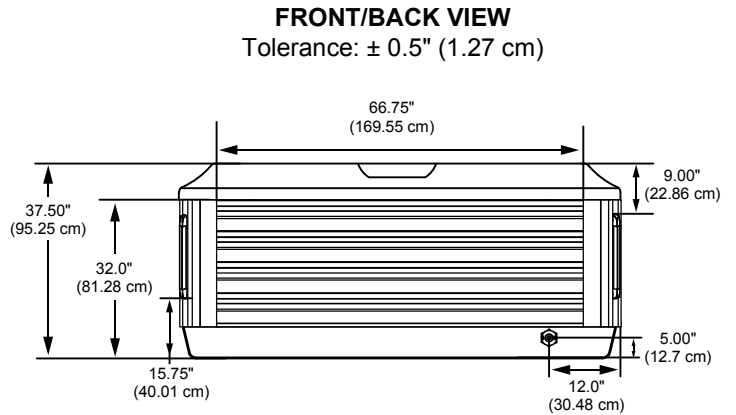
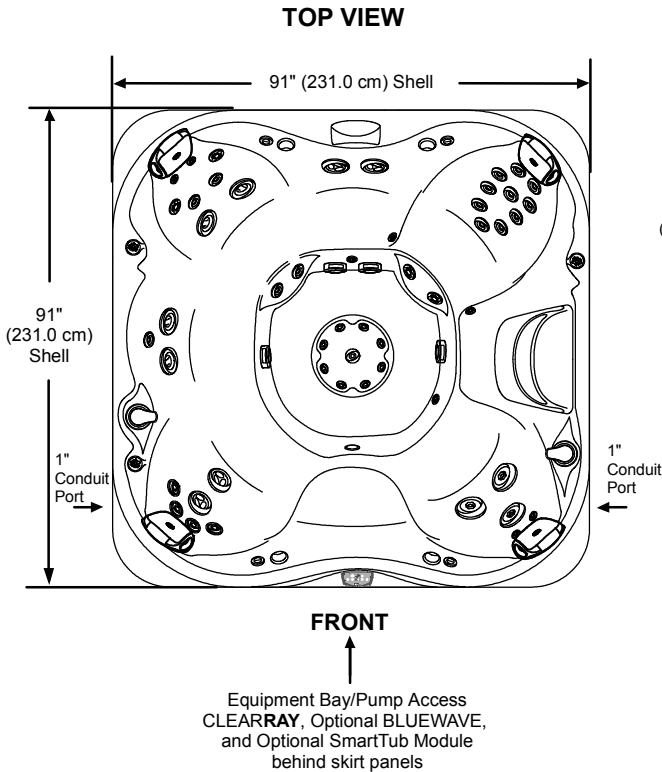
**F = 27.13" (68.90 cm)**  
**G = 17.00" (43.18 cm)**  
**H = 33.25" (84.46 cm)**

Listed dimensions represent distance from top of acrylic to lowest point in seat. Tolerance  $\pm 0.5"$  (1.27 cm).

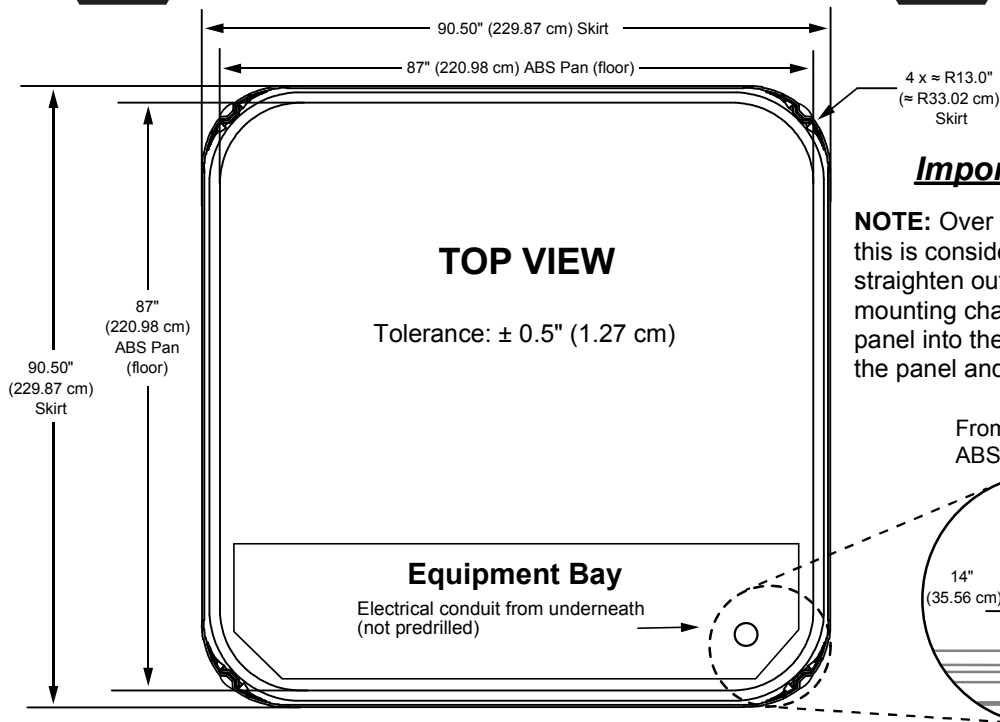


# Jacuzzi J-385

## Dimensions



**IMPORTANT!** Always measure each hot tub for exact dimensions **BEFORE** designing its foundational support and/or decking.



### Important Panel Details

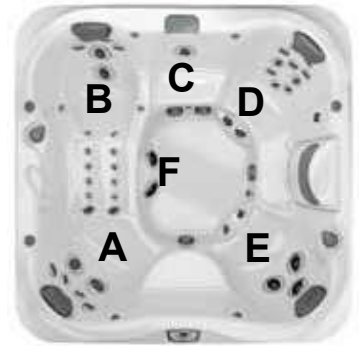
**NOTE:** Over time the panel(s) may bow, this is considered normal. The panels will straighten out when reinstalled into the mounting channel. Place one end of the panel into the channel first then flatten the panel and insert the other end.

Dimensions/specifications subject to change without notice. Tolerance  $\pm 0.5"$  (1.27 cm)

# Jacuzzi J-375

## Specifications

<b>Seating Capacity</b> .....	5-6 Adults
<b>Dimensions</b> .....	91" x 91" x 37.50" (231 cm x 231 cm x 95.25 cm); <b>For complete dimensions, see page 103</b>
<b>Dry Weight</b> .....	830 lbs (376 kg)
<b>Filled Weight (Spa Volume)</b> .....	5,667 lbs (2,571 kg)
<b>Filled Weight (Average Fill)</b> .....	4,541 lbs (2,060 kg)
<b>Water Capacity (Spa Volume)</b> .....	580 US gallons (2,196 Liters)
<b>Water Capacity (Average Fill)</b> .....	445 US gallons (1,685 Liters)
<b>Electronic Controls</b> .....	Solid state electronic controls with LCD readout, programmable temperature, filtration, and heat cycles
<b>Pump 1</b> .....	North America (60 Hz): 1-Speed, 4.8 HP brake, 2.5 HP continuous, 56 Frame <b>Export (50 Hz): 1-Speed, 2.0 HP continuous</b>
<b>Pump 2</b> .....	North America (60 Hz): 1-Speed, 4.8 HP brake, 2.5 HP continuous, 56 Frame <b>Export (50 Hz): 1-Speed, 2.0 HP continuous</b>
<b>Circulation Pump</b> .....	Yes, 8-hour
<b>Heater</b> .....	North America (60 Hz): 5.5kW High Flow <b>Export (50 Hz) 2.7kW High Flow</b>
<b>Total PowerPro® Jets</b> .....	52
<b>Seat A Jets</b> .....	2 PowerPro® NX2, 2 PowerPro® FX Large, 2 PowerPro® FX Rotational, 2 PowerPro® FX
<b>Seat B Jets</b> .....	4 PowerPro® FX, 2 PowerPro® FX Large Rotational, 12 PowerPro® BX, 2 PowerPro® FX Rotational
<b>Seat C Jets</b> .....	1 PowerPro® FX Large Rotational
<b>Seat D Jets</b> .....	10 PowerPro® FX, 2 PowerPro® FX Rotational
<b>Seat D HYDROSOOTHE™ Jets</b> .....	2 PowerPro® FX Directional with independent flow rate valve
<b>Seat E Jets</b> .....	2 PowerPro® NX2, 3 PowerPro® MX, 2 PowerPro® FX
<b>Footwell (F)</b> .....	2 PowerPro® MX
<b>Massage Selectors</b> .....	2
<b>Air Controls</b> .....	4, On/Off rocker switch air controller
<b>Water Management System</b> .....	Two 60 ft² Filter cartridges; filter 1 on 8-hour circulation pump; filter 2 on jets pump 1; Factory installed CLEARRAY® Water Purification System <b>Export (50 Hz): Factory installed CLEARRAY® Water Purification System</b>
<b>LED Lighting</b> .....	One underwater prolite with 4 color modes, one colored waterfall light, cup holders, 2 HYDROSOOTHE pillow lights, and OPTIONAL exterior lights
<b>ProFinish™ Cabinet Colors</b> .....	Modern Hardwood, Brushed Gray, and Smoked Ebony
<b>Acrylic Colors</b> .....	Platinum, Silver Pearl, Sahara, Monaco, Midnight, Porcelain
<b>Headrests</b> .....	4
<b>Waterfalls</b> .....	One independent flow rate (on or off) adjustment; powered by the circulation pump
<b>Electrical Requirements:</b> .....	North America (60 Hz): 240 VAC@40A, 50A, or 60A <b>Export (50 Hz): 230-240 VAC@1x32A, 1x20A/1x16A, 3x16A, or suitably rated circuit breaker to comply with local electrical codes. Certain countries may require dual power inputs; two GFCI RCD breakers are required for this configuration.</b>
<b>Warranty*</b> .....	North America (60 Hz): 10 Years Shell, 7 Years Shell Surface, 5 Years for Plumbing Component Leaks, 5 Years Equipment and Controls, 5 Years Cabinet, 2 Years Jets, 2 Years Lights, 1 Year Stereo; <b>Export (50 Hz): 10 Years Shell, 7 Years Shell Surface, 5 Years Plumbing Component Leaks, 5 Years Equipment and Controls, 5 Years Cabinet, 2 Years Jets, 2 Years Lights, 2 Years Stereo</b>
<b>Special Features (Optional)</b> .....	SmartTub™ Module, Exterior Lights
<b>Audio System (Optional)</b> .....	BLUEWAVE® Spa Stereo System (Bluetooth/Aux compatible) with four speakers and subwoofer

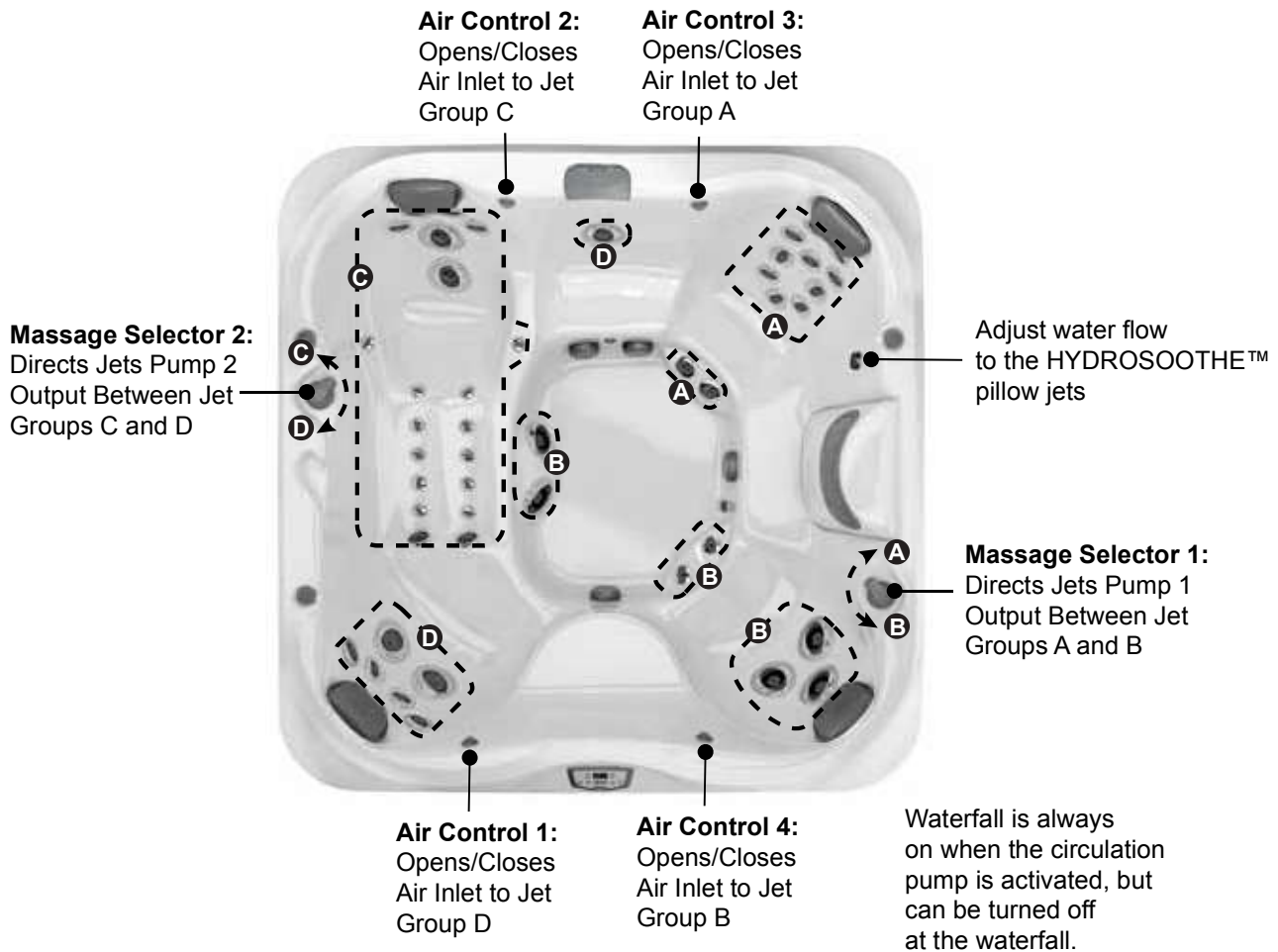


\*(See Warranty Document for Specific Details)

Dimensions/Specifications are Subject to Change Without Notice

# Jacuzzi J-375

## Operation/Seat Depths



### 52 Total Jets



Spa Operation Subject to Change without Notice

## Seat Depths

**A = 26.50" (67.31 cm)**  
**B = 27.50" (69.85 cm)**  
**C = 23.50" (59.69 cm)**  
**D = 28.25" (71.76 cm)**  
**E = 27.25" (69.22 cm)**

**F = 17.00" (43.18 cm)**  
**G = 34.00" (86.36 cm)**

Listed dimensions  
represent distance  
from top of acrylic to  
lowest point in seat.  
Tolerance  $\pm 0.5"$   
(1.27 cm).



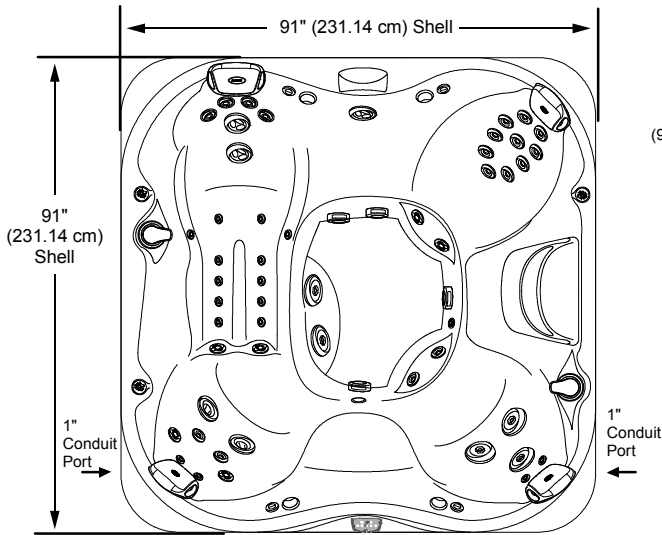
Dimensions/Specifications are Subject to Change Without Notice



# Jacuzzi J-375

## Dimensions

**TOP VIEW**

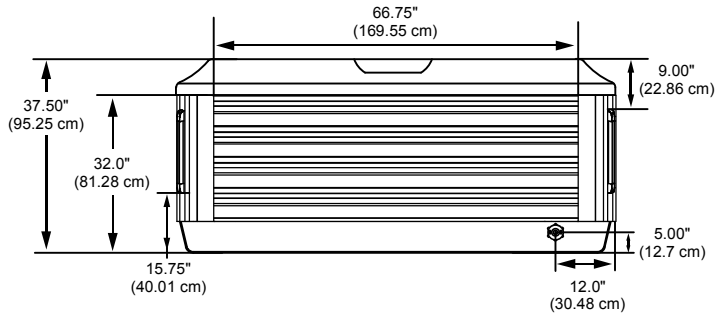


**FRONT**

Equipment Bay/Pump Access  
CLEARARRAY, Optional BLUEWAVE,  
and Optional SmartTub Module  
behind skirt panels

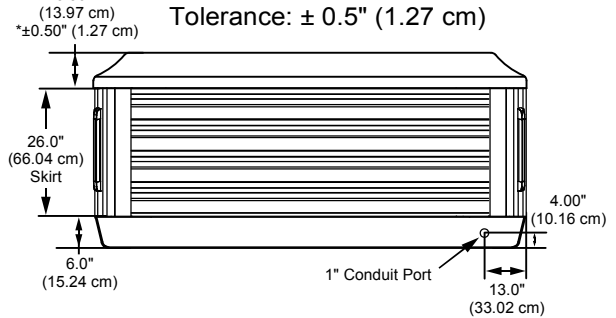
**FRONT/BACK VIEW**

Tolerance:  $\pm 0.5"$  (1.27 cm)

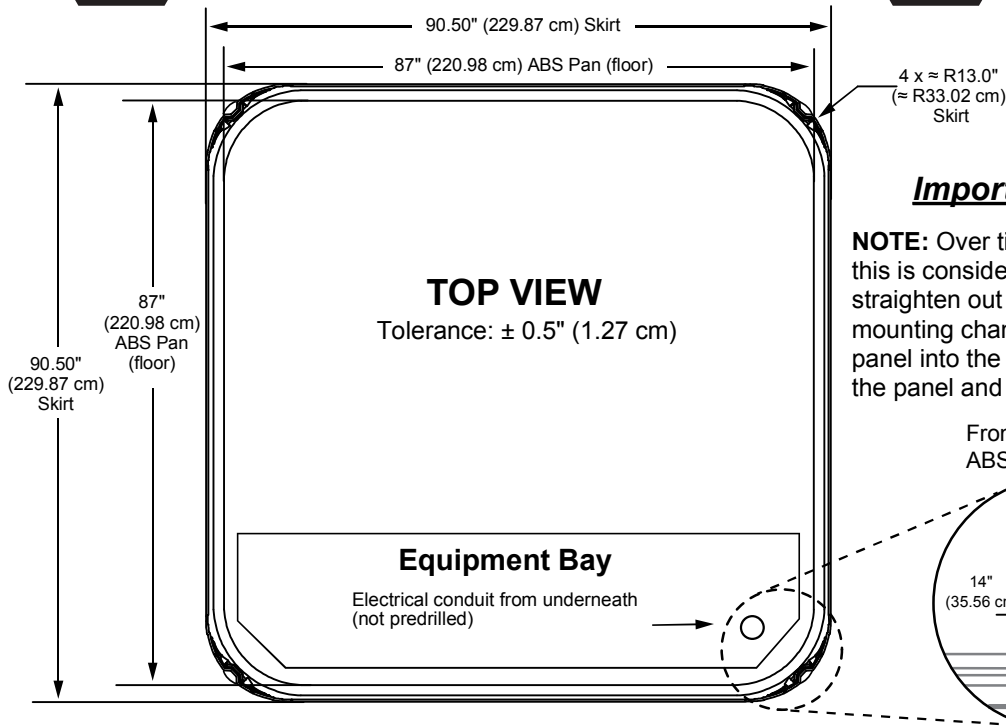


**LEFT SIDE VIEW**

Tolerance:  $\pm 0.5"$  (1.27 cm)



**IMPORTANT!** Always measure each hot tub for exact dimensions **BEFORE** designing its foundational support and/or decking.



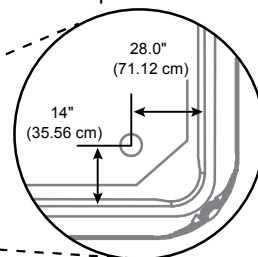
**TOP VIEW**

Tolerance:  $\pm 0.5"$  (1.27 cm)

### Important Panel Details

**NOTE:** Over time the panel(s) may bow, this is considered normal. The panels will straighten out when reinstalled into the mounting channel. Place one end of the panel into the channel first then flatten the panel and insert the other end.

From the edge of the ABS pan



Dimensions/specifications subject to change without notice. Tolerance  $\pm 0.5"$  (1.27 cm)

# Jacuzzi J-365

## Specifications

<b>Seating Capacity</b> .....	6-7 Adults
<b>Dimensions</b> .....	84" x 91" x 37.50" (213.5 cm x 231 cm x 95.25 cm); <b>For Complete Dimensions, See page 103</b>
<b>Dry Weight</b> .....	805 lbs (365 kg)
<b>Filled Weight (Spa Volume)</b> .....	4,975 lbs (2,257 kg)
<b>Filled Weight (Average Fill)</b> .....	4,099 lbs (1,859 kg)
<b>Water Capacity (Spa Volume)</b> .....	500 US gallons (1,893 Liters)
<b>Water Capacity (Average Fill)</b> .....	395 US gallons (1,495 Liters)
<b>Electronic Controls</b> .....	Solid state electronic controls with LCD readout, programmable temperature, filtration, and heat cycles
<b>Pump 1</b> .....	North America (60 Hz): 1-Speed, 4.8 HP brake, 2.5 HP continuous, 56 Frame <b>Export (50 Hz): 1-Speed, 2.0 HP continuous</b>
<b>Pump 2</b> .....	North America (60 Hz): 1-Speed, 4.8 HP brake, 2.5 HP continuous, 56 Frame <b>Export (50 Hz): 1-Speed, 2.0 HP continuous</b>
<b>Circulation Pump</b> .....	Yes, 8-Hour
<b>Heater</b> .....	North America (60 Hz): 5.5kW High Flow <b>Export (50 Hz) 2.7kW High Flow</b>
<b>Total PowerPro® Jets</b> .....	46
<b>Seat A Jets</b> .....	4 PowerPro® FX, 2 PowerPro® FX Large Rotational
<b>Seat B Jets</b> .....	1 PowerPro® FX Large
<b>Seat C Jets</b> .....	2 PowerPro® NX2, 2 PowerPro® FX, 3 PowerPro® MX
<b>Seat D Jets</b> .....	1 PowerPro® FX Large Rotational
<b>Seat E Jets</b> .....	10 PowerPro® FX, 2 PowerPro® FX Rotational
<b>Seat E HYDROSOOTHE™ Jets</b> .....	2 PowerPro® FX Directional with independent flow rate valve
<b>Seat F Jets</b> .....	2 PowerPro® NX2, 2 PowerPro® FX Rotational, 2 PowerPro® FX, 2 PowerPro® FX Large
<b>Footwell (G)</b> .....	8 PowerPro® FX Small, 1 PowerPro® FX
<b>Massage Selectors</b> .....	2
<b>Air Controls</b> .....	4, On/Off rocker style
<b>Water Management System</b> .....	Two 60 ft <sup>2</sup> filter cartridges; filter 1 on 8-hour circulation pump; filter 2 on jets pump 1; Factory installed CLEARRAY® Water Purification System <b>Export (50 Hz): Factory installed CLEARRAY® Water Purification System</b>
<b>LED Lighting</b> .....	One underwater light with 4 color modes, one colored waterfall light, cup holders, 2 HYDROSOOTHE pillow lights, and OPTIONAL exterior light
<b>ProFinish™ Cabinet Colors</b> .....	Modern Hardwood, Brushed Gray, and Smoked Ebony
<b>Acrylic Colors</b> .....	Platinum, Silver Pearl, Sahara, Monaco, Midnight, Porcelain
<b>Headrests</b> .....	4
<b>Waterfalls</b> .....	One independent flow rate (on or off) adjustment; powered by the circulation pump
<b>Electrical Requirements:</b> .....	North America (60 Hz): 240 VAC@40A, 50A, or 60A <b>Export (50 Hz): 230-240 VAC@1x32A, 1x20A/1x16A, 3x16A, or suitably rated circuit breaker to comply with local electrical codes. Certain countries may require dual power inputs; two GFCI RCD Breakers are required for this configuration.</b>
<b>Warranty*</b> .....	North America (60 Hz): 10 Years Shell, 7 Years Shell Surface, 5 Years Plumbing Component Leaks, 5 Years Equipment and Controls, 5 Years Cabinet, 2 Years Jets, 2 Years Lights, 1 Year Stereo; <b>Export (50 Hz): 10 Years Shell, 7 Years Shell Surface, 5 Years Plumbing Component Leaks, 5 Years Equipment and Controls, 5 Years Cabinet, 2 Years Jets, 2 Years Lights, 2 Years Stereo</b>
<b>Special Features (Optional)</b> .....	SmartTub™ Module, Exterior Lights
<b>Audio System (Optional)</b> .....	BLUEWAVE® Spa Stereo System (Bluetooth/Aux compatible) with four speakers and subwoofer

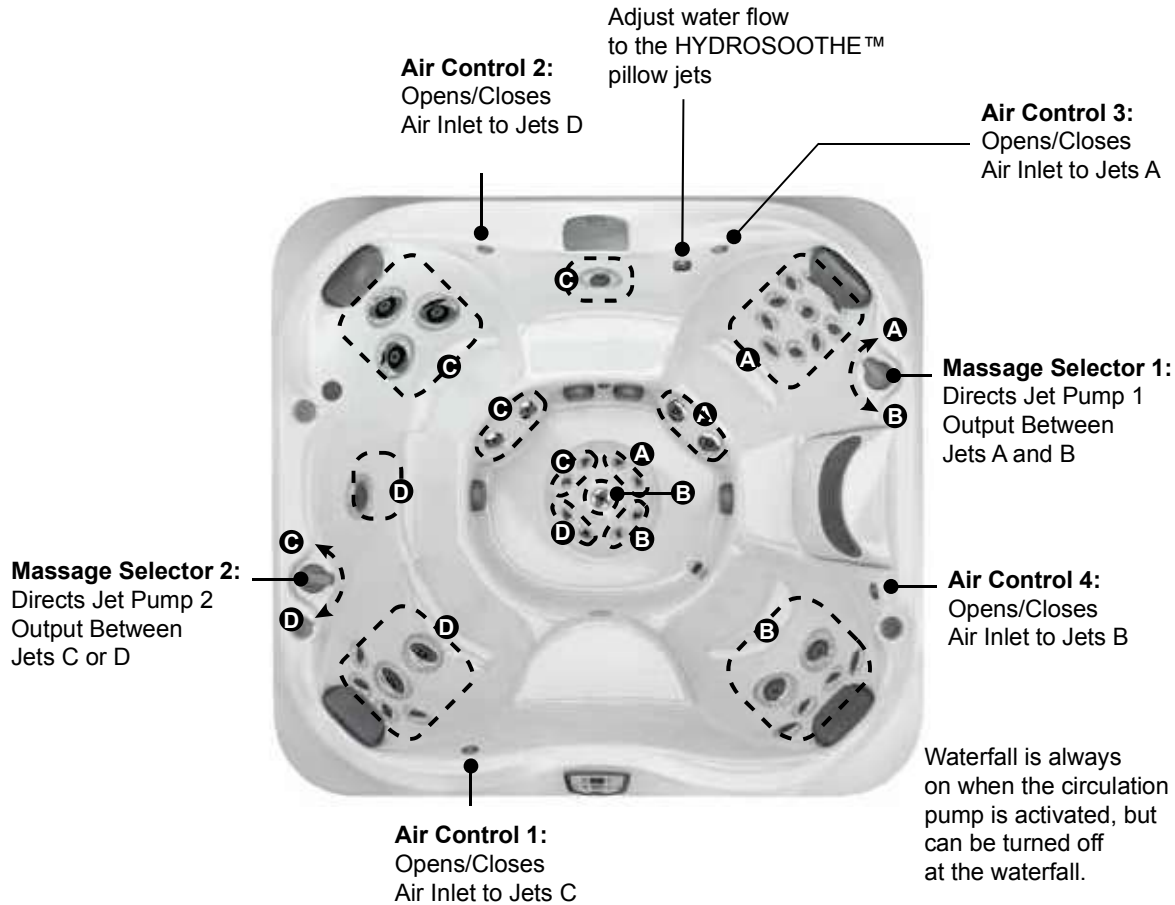


\*(See Warranty Document for Specific Details)

Dimensions/Specifications are Subject to Change Without Notice

# Jacuzzi J-365

## Operation/Seat Depths



### 46 Total Jets



Spa Operation Subject to Change without Notice

## Seat Depths

- A = 26.50" (67.47 cm)
- B = 25.25" (64.14 cm)
- C = 25.25" (64.14 cm)
- D = 23.75" (60.33 cm)
- E = 28.25" (71.76 cm)

- F = 27.25" (69.22 cm)
- G = 17.50" (44.45 cm)
- H = 33.75" (85.73 cm)

Listed dimensions represent distance from top of acrylic to lowest point in seat. Tolerance  $\pm 0.5"$  (1.27 cm).

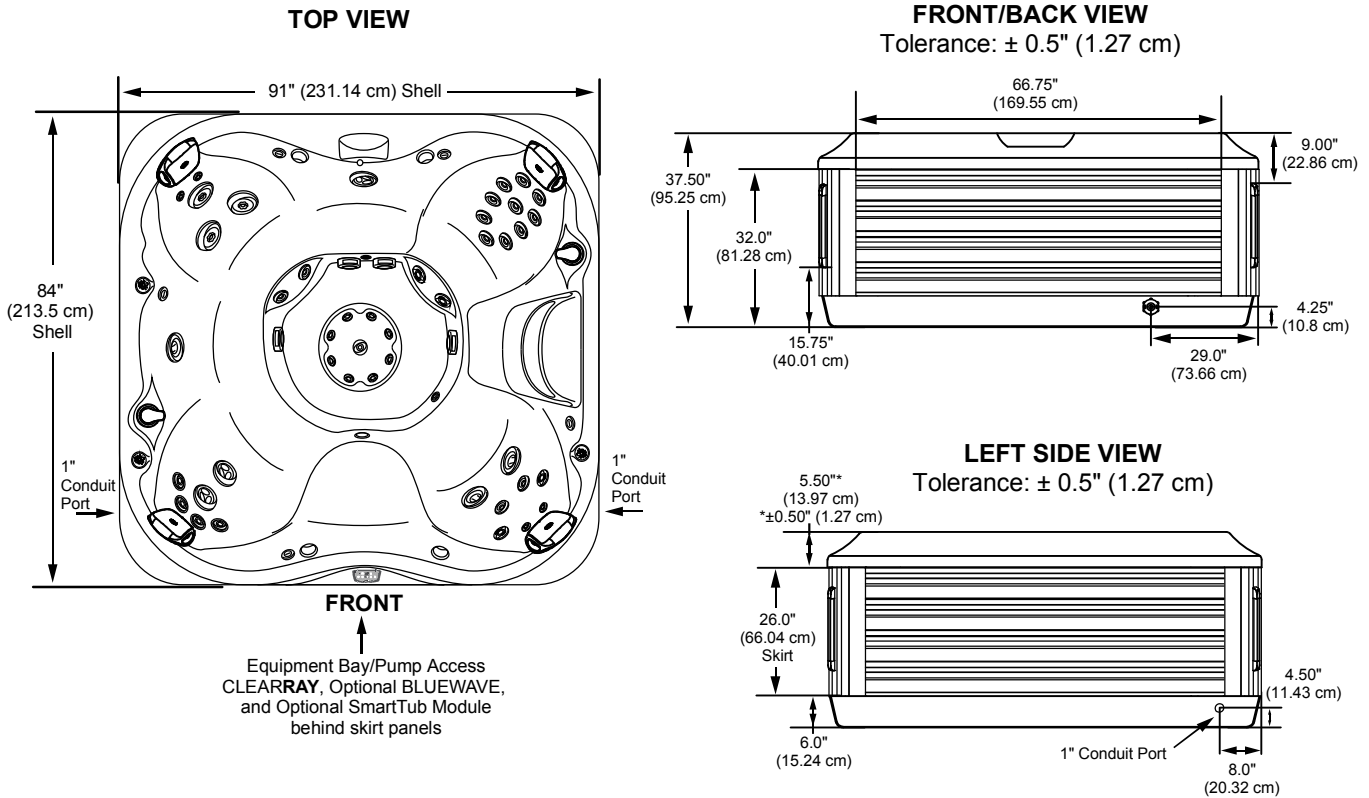


Dimensions/Specifications are Subject to Change Without Notice



# Jacuzzi J-365

## Dimensions

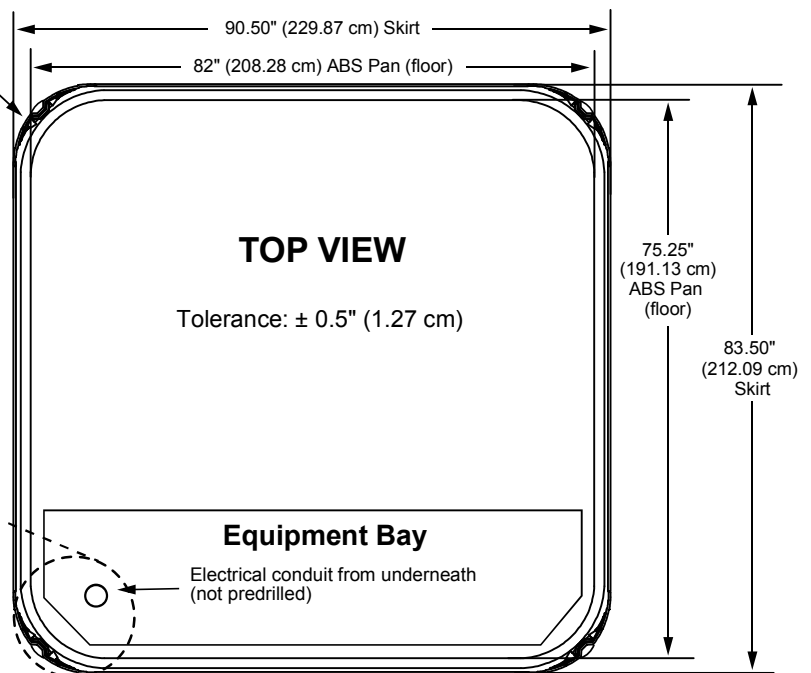
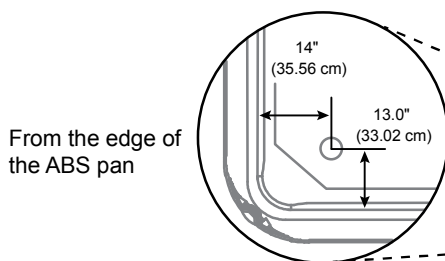


**IMPORTANT!** Always measure each hot tub for exact dimensions **BEFORE** designing its foundational support and/or decking.



### Important Panel Details

**NOTE:** Over time the panel(s) may bow, this is considered normal. The panels will straighten out when reinstalled into the mounting channel. Place one end of the panel into the channel first then flatten the panel and insert the other end.

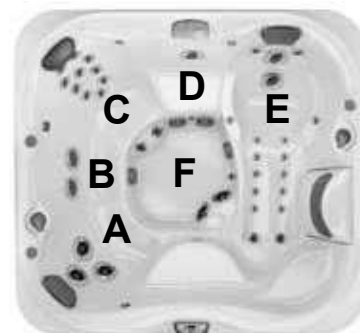


Dimensions/specifications subject to change without notice. Tolerance  $\pm 0.5"$  (1.27 cm)

# Jacuzzi J-355

## Specifications

<b>Seating Capacity</b> .....	5-6 Adults
<b>Dimensions</b> .....	84" x 91" x 37.50" (213.5 cm x 231 cm x 95.25 cm); <b>For Complete Dimensions, See page 103</b>
<b>Dry Weight</b> .....	813 lbs (369 kg)
<b>Filled Weight (Spa Volume)</b> .....	4,900 lbs (1,855 kg)
<b>Filled Weight (Average Fill)</b> .....	3,815 lbs (1,731 kg)
<b>Water Capacity (Spa Volume)</b> .....	490 US gallons (1,855 Liters)
<b>Water Capacity (Average Fill)</b> .....	360 US gallons (1,363 Liters)
<b>Electronic Controls</b> .....	Solid state electronic controls with LCD readout, programmable temperature, filtration, and heat cycles
<b>Pump 1</b> .....	North America (60 Hz): 1-Speed, 4.8 HP brake, 2.5 HP continuous, 56 Frame
<b>Export (50 Hz):</b> .....	<b>1-Speed, 2.0 HP continuous</b>
<b>Pump 2</b> .....	North America (60 Hz): 1-Speed, 4.8 HP brake, 2.5 HP continuous, 56 Frame
<b>Export (50 Hz):</b> .....	<b>1-Speed, 2.0 HP continuous</b>
<b>Circulation Pump</b> .....	Yes, 8-hour
<b>Heater</b> .....	North America (60 Hz): 5.5kW High Flow
<b>Export (50 Hz)</b> .....	<b>2.7kW High Flow</b>
<b>Total PowerPro® Jets</b> .....	44
<b>Seat A Jets</b> .....	2 PowerPro® NX2, 3 PowerPro® MX
<b>Seat B Jets</b> .....	2 PowerPro® FX Large
<b>Seat C Jets</b> .....	10 PowerPro® FX, 2 PowerPro® FX Rotational
<b>Seat C HYDROSOOTHE™ Jets</b> .....	2 PowerPro® FX Directional with independent flow rate valve
<b>Seat D Jets</b> .....	1 PowerPro® FX Large Rotational
<b>Seat E Jets</b> .....	4 PowerPro® FX, 2 PowerPro® FX Large Rotational, 12 PowerPro® BX, 2 PowerPro® FX Rotational
<b>Footwell (F)</b> .....	2 PowerPro® MX
<b>Massage Selectors</b> .....	2
<b>Air Controls</b> .....	3, On/Off rocker style
<b>Water Management System</b> .....	Two 60 ft <sup>2</sup> filter cartridges; filter 1 on 8-hour circulation pump; filter 2 on jets pump 1; Factory installed CLEARARRAY® Water Purification System
<b>Export (50 Hz):</b> .....	<b>Factory installed CLEARARRAY® Water Purification System</b>
<b>LED Lighting</b> .....	One underwater light with 4 color modes, one colored waterfall light, cup holders, 2 HYDROSOOTHE pillow lights, and OPTIONAL exterior light
<b>ProFinish™ Cabinet Colors</b> .....	Modern Hardwood, Brushed Gray, and Smoked Ebony
<b>Acrylic Colors</b> .....	Platinum, Silver Pearl, Sahara, Monaco, Midnight, Porcelain
<b>Headrests</b> .....	3
<b>Waterfalls</b> .....	One independent flow rate (on or off) adjustment; powered by the circulation pump
<b>Electrical Requirements:</b> .....	North America (60 Hz): 240 VAC@40A, 50A, or 60A <b>Export (50 Hz): 230-240 VAC@1x32A, 1x20A/1x16A, 3x16A, or suitably rated circuit breaker to comply with local electrical codes. Certain countries may require dual power inputs; two GFCI RCD Breakers are required for this configuration.</b>
<b>Warranty*</b> .....	North America (60 Hz): 10 Years Shell, 7 Years Shell Surface, 5 Years for Plumbing Component Leaks, 5 Years Equipment and Controls, 5 Years Cabinet, 2 Years Jets, 2 Years Lights, 1 Year Stereo; <b>Export (50 Hz): 10 Years Shell, 7 Years Shell Surface, 5 Years Plumbing Component Leaks, 5 Years Equipment and Controls, 5 Years Cabinet, 2 Years Jets, 2 Years Lights, 2 Years Stereo</b>
<b>Special Features (Optional)</b> .....	SmartTub™ Module, Exterior Lights
<b>Audio System (Optional)</b> .....	BLUEWAVE® Spa Stereo System (Bluetooth/Aux compatible) with four speakers and subwoofer

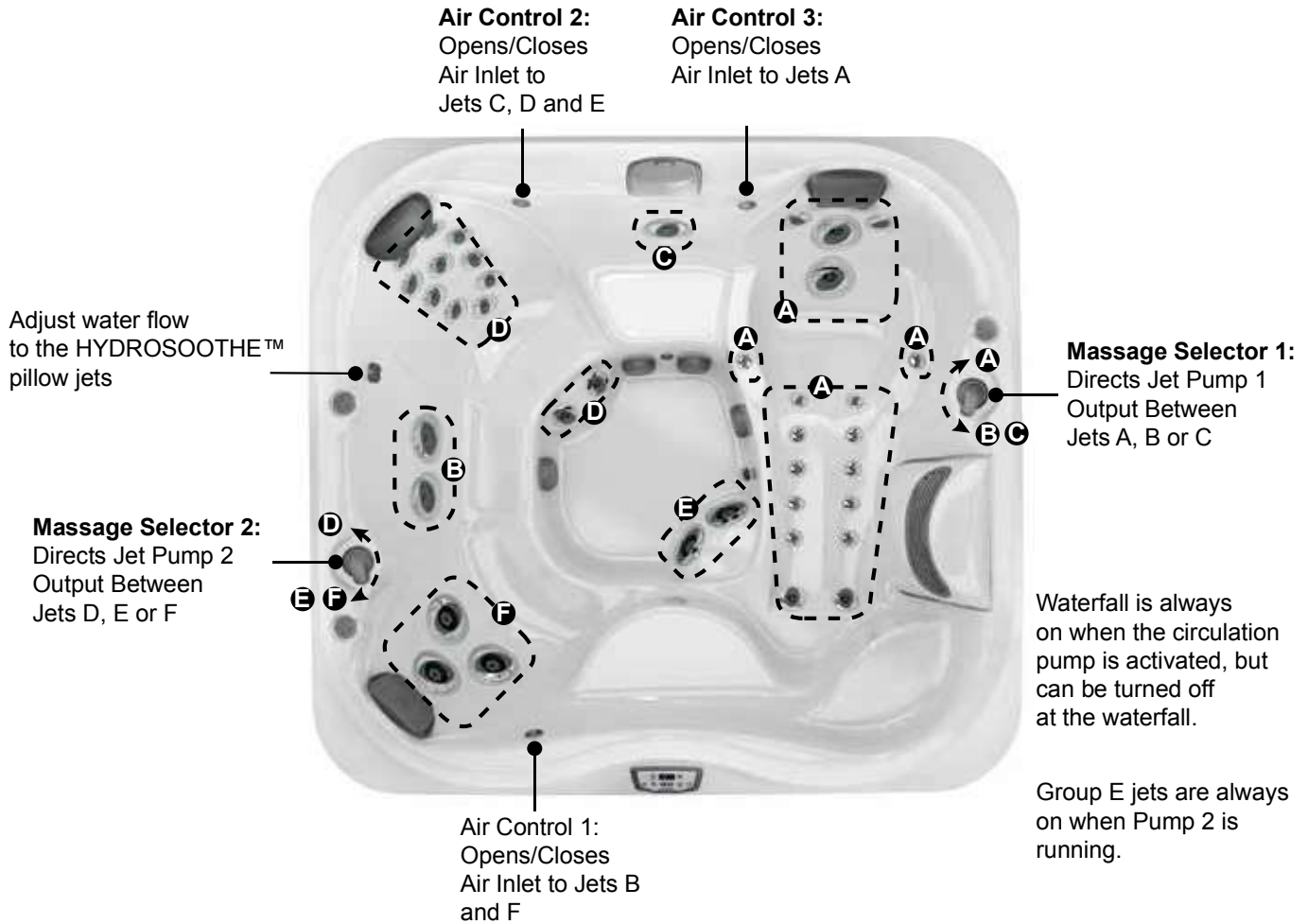


\*(See Warranty Document for Specific Details)

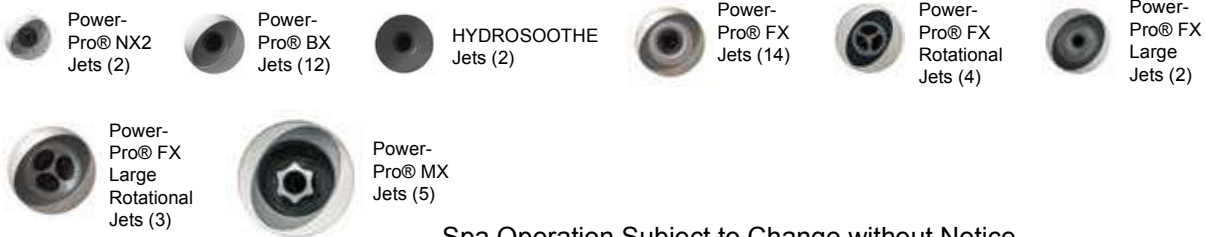
Dimensions/Specifications are Subject to Change Without Notice

# Jacuzzi J-355

## Operation/Seat Depths



### 44 Total Jets



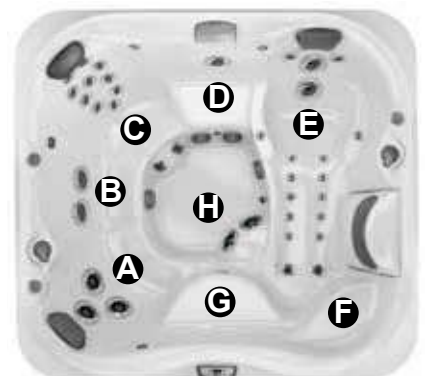
Spa Operation Subject to Change without Notice

## Seat Depths

**A = 25.25" (64.14 cm)**  
**B = 26.50" (67.31 cm)**  
**C = 28.75" (73.02 cm)**  
**D = 21.25" (53.98 cm)**  
**E = 27.00" (68.58 cm)**

**F = 9.25" (23.50 cm)**  
**G = 13.50" (34.29 cm)**  
**H = 33.25" (84.45 cm)**

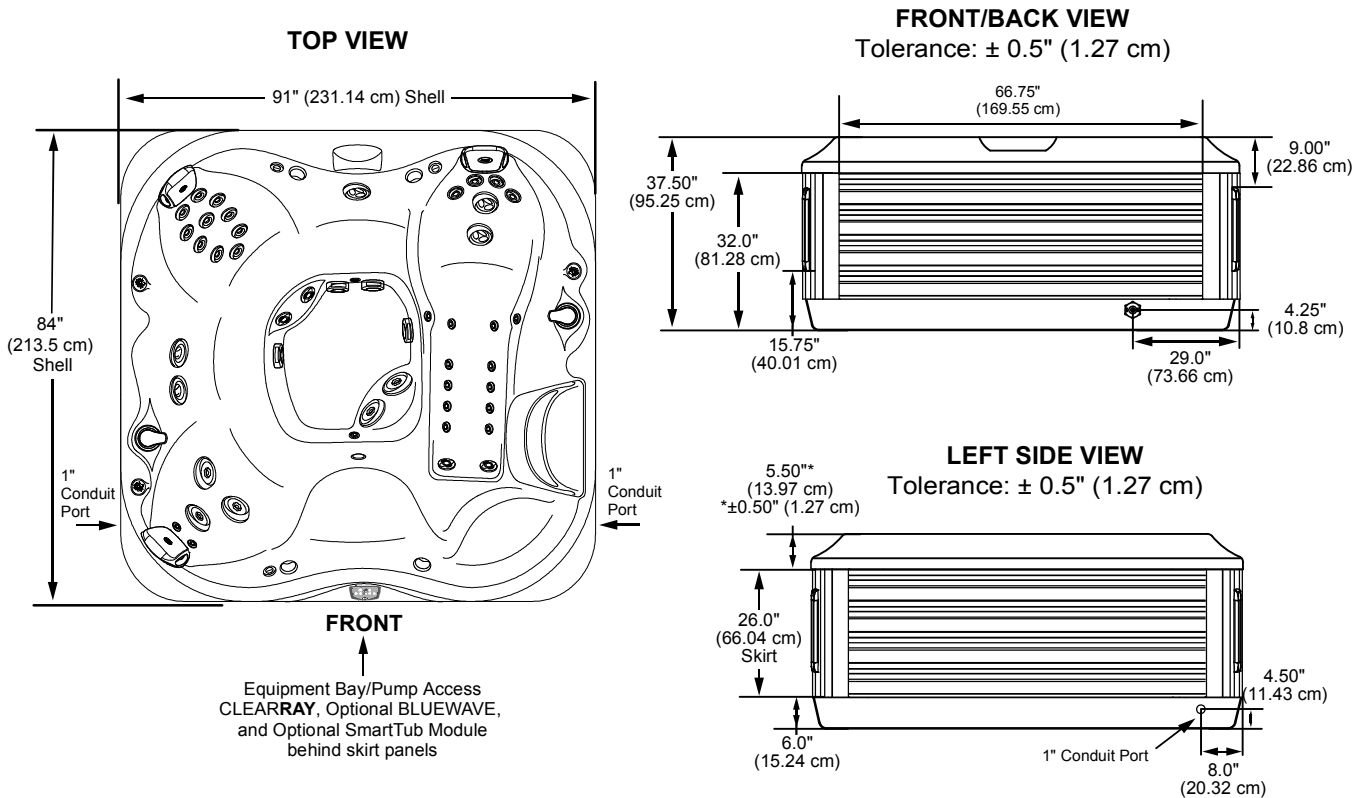
Listed dimensions  
represent distance  
from top of acrylic to  
lowest point in seat.  
Tolerance ± 0.5"  
(1.27 cm).



Dimensions/Specifications are Subject to Change Without Notice

# Jacuzzi J-355

## Dimensions

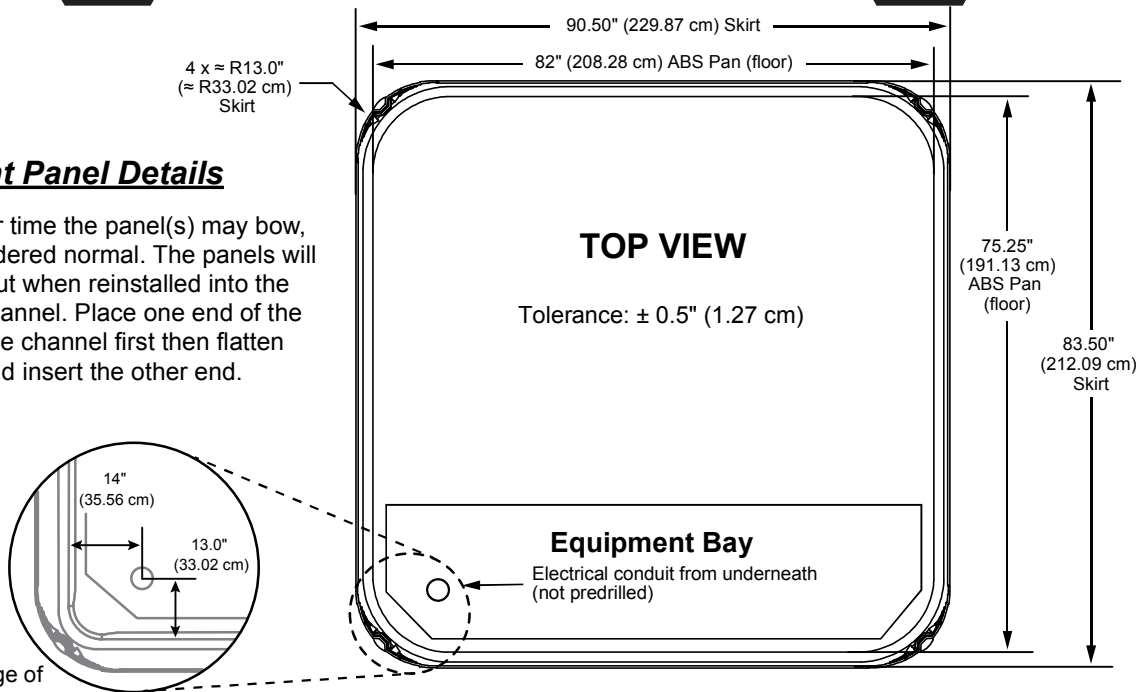


**IMPORTANT! Always measure each hot tub for exact dimensions BEFORE designing its foundational support and/or decking.**



### Important Panel Details

**NOTE:** Over time the panel(s) may bow, this is considered normal. The panels will straighten out when reinstalled into the mounting channel. Place one end of the panel into the channel first then flatten the panel and insert the other end.



Dimensions/specifications subject to change without notice. Tolerance  $\pm 0.5"$  (1.27 cm)

# Jacuzzi J-345

## Specifications

Seating Capacity.....	6-7 Adults
Dimensions .....	84" x 84" x 36" (213.5 cm x 213.5 cm x 91.44 cm); <b>For Complete Dimensions, See page 103</b>
Dry Weight.....	777 lbs (352 kg)
Filled Weight (Spa Volume) .....	4,488 lbs (2,036 kg)
Filled Weight (Average Fill).....	3,654 lbs (1,306 kg)
Water Capacity (Spa Volume) .....	445 US gallons (1,685 Liters)
Water Capacity (Average Fill).....	345 US gallons (1,306 Liters)
Electronic Controls .....	Solid state electronic controls with LCD readout, programmable temperature, filtration, and heat cycles
Pump 1 .....	North America (60 Hz): 1-Speed, 4.8 HP brake, 2.5 HP continuous, 56 Frame <b>Export (50 Hz):.....1-Speed, 2.0 HP continuous</b>
Pump 2.....	North America (60 Hz): 1-Speed, 4.8 HP brake, 2.5 HP continuous, 56 Frame <b>Export (50 Hz):.....1-Speed, 2.0 HP continuous</b>
Circulation Pump.....	Yes, 8-hour
Heater .....	North America (60 Hz): 5.5kW High Flow <b>Export (50 Hz).....2.7kW High Flow</b>
Total PowerPro® Jets.....	41
Seat A Jets .....	4 PowerPro® FX, 2 PowerPro® FX Large Rotational, 2 PowerPro® FX Small
Seat B Jets .....	2 PowerPro® FX
Seat C Jets .....	3 PowerPro® MX, 2 PowerPro® FX Rotational, 2 PowerPro® FX Small
Seat D Jets .....	1 PowerPro® FX Large Rotational
Seat E Jets .....	10 PowerPro® FX, 2 PowerPro® FX Small
Seat E HYDROSOOTHE™ Jets .....	2 PowerPro® FX Directional with independent flow rate valve
Seat F Jets.....	2 PowerPro® FX Large, 2 PowerPro® FX Rotational, 2 PowerPro® FX, 2 PowerPro® FX Small
Footwell (G).....	8 PowerPro® FX Small, 1 PowerPro® FX
Massage Selectors .....	2
Air Controls.....	4, On/Off rocker style
Water Management System .....	Two 60 ft <sup>2</sup> filter cartridges; filter 1 on 8-hour circulation pump; filter 2 on jets pump 1; Factory installed CLEARARRAY® Water Purification System <b>Export (50 Hz):.....Factory installed CLEARARRAY® Water Purification System</b>
LED Lighting .....	One underwater light with 4 color modes, one colored waterfall light, cup holders, 2 HYDROSOOTHE pillow lights, and OPTIONAL exterior light
ProFinish™ Cabinet Colors .....	Modern Hardwood, Brushed Gray, and Smoked Ebony
Acrylic Colors .....	Platinum, Silver Pearl, Sahara, Monaco, Midnight, Porcelain
Headrests .....	4
Waterfall .....	One independent flow rate (on or off) adjustment; powered by the circulation pump
Electrical Requirements.....	North America (60 Hz): 240 VAC@40A, 50A, or 60A <b>Export (50 Hz): 230-240 VAC@1x32A, 1x20A/1x16A, 3x16A, or suitably rated circuit breaker to comply with local electrical codes. Certain countries may require dual power inputs; two GFCI RCD breakers are required for this configuration.</b>
Warranty*.....	<b>North America (60 Hz):</b> 10 Years Shell, 7 Years Shell Surface, 5 Years for Plumbing Component Leaks, 5 Years Equipment and Controls, 5 Years Cabinet, 2 Years Jets, 2 Years Lights, 1 Year Stereo; <b>Export (50 Hz): 10 Years Shell, 7 Years Shell Surface, 5 Years Plumbing Component Leaks, 5 Years Equipment and Controls, 5 Years Cabinet, 2 Years Jets, 2 Years Lights, 2 Years Stereo</b>
Special Features (Optional).....	SmartTub™ Module, Exterior Lights
Audio System (Optional).....	BLUEWAVE® Spa Stereo System (Bluetooth/Aux compatible) with four speakers and subwoofer



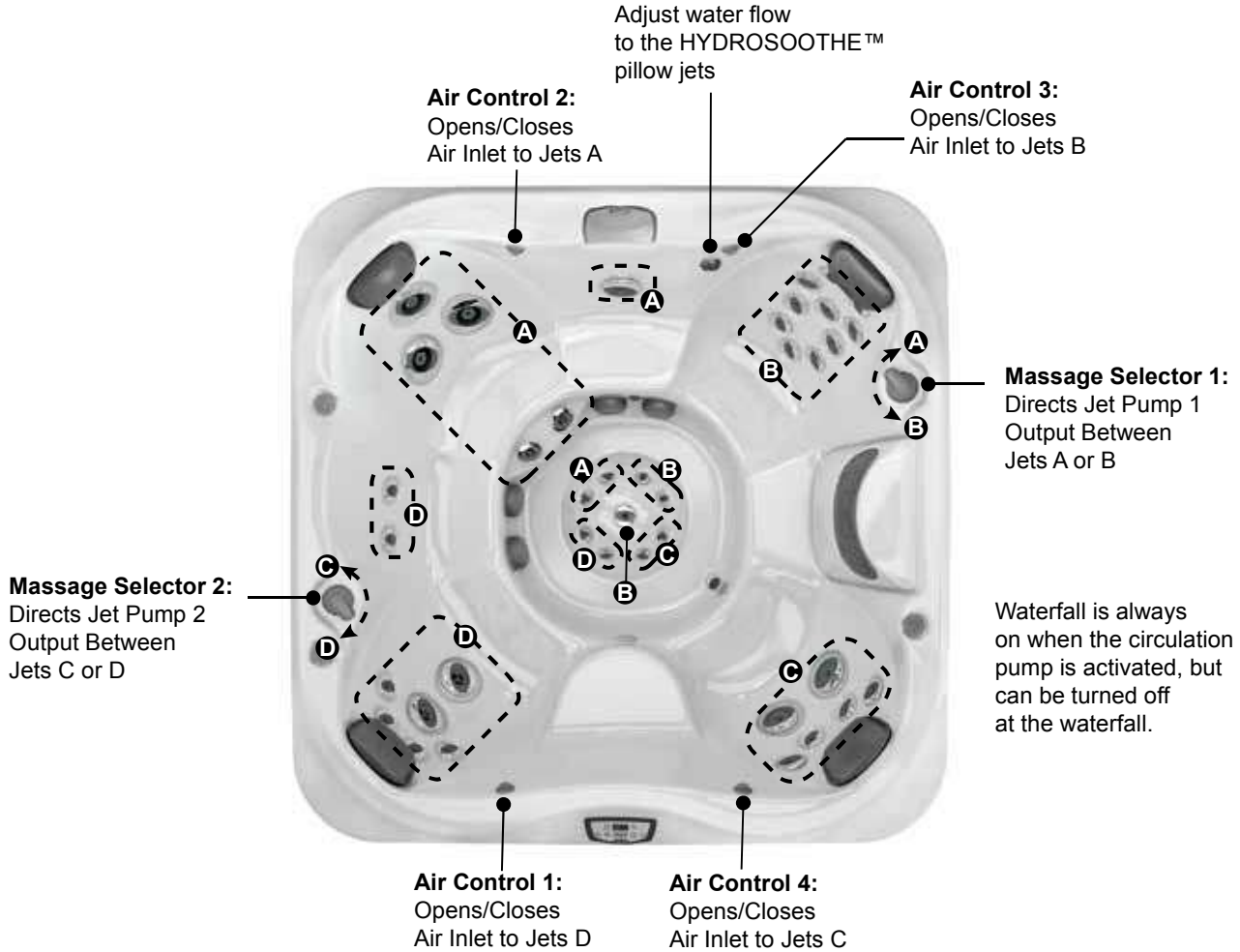
\*(See Warranty Document for Specific Details)

Dimensions/Specifications are Subject to Change Without Notice

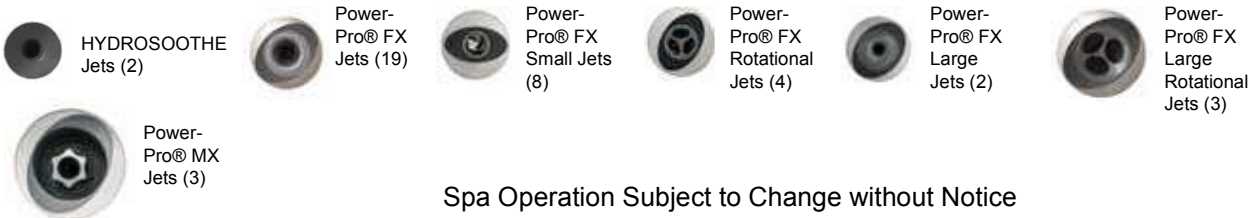


# Jacuzzi J-345

## Operation/Seat Depths



### 41 Total Jets



Spa Operation Subject to Change without Notice

## Seat Depths

- A = 25.25" (64.1 cm)**
- B = 25.25" (64.1 cm)**
- C = 25.13" (63.8 cm)**
- D = 23.50" (59.7 cm)**
- E = 28.50" (72.4 cm)**

- F = 25.13" (63.8 cm)**
- G = 16.75" (42.5 cm)**
- H = 33.50" (85.1 cm)**

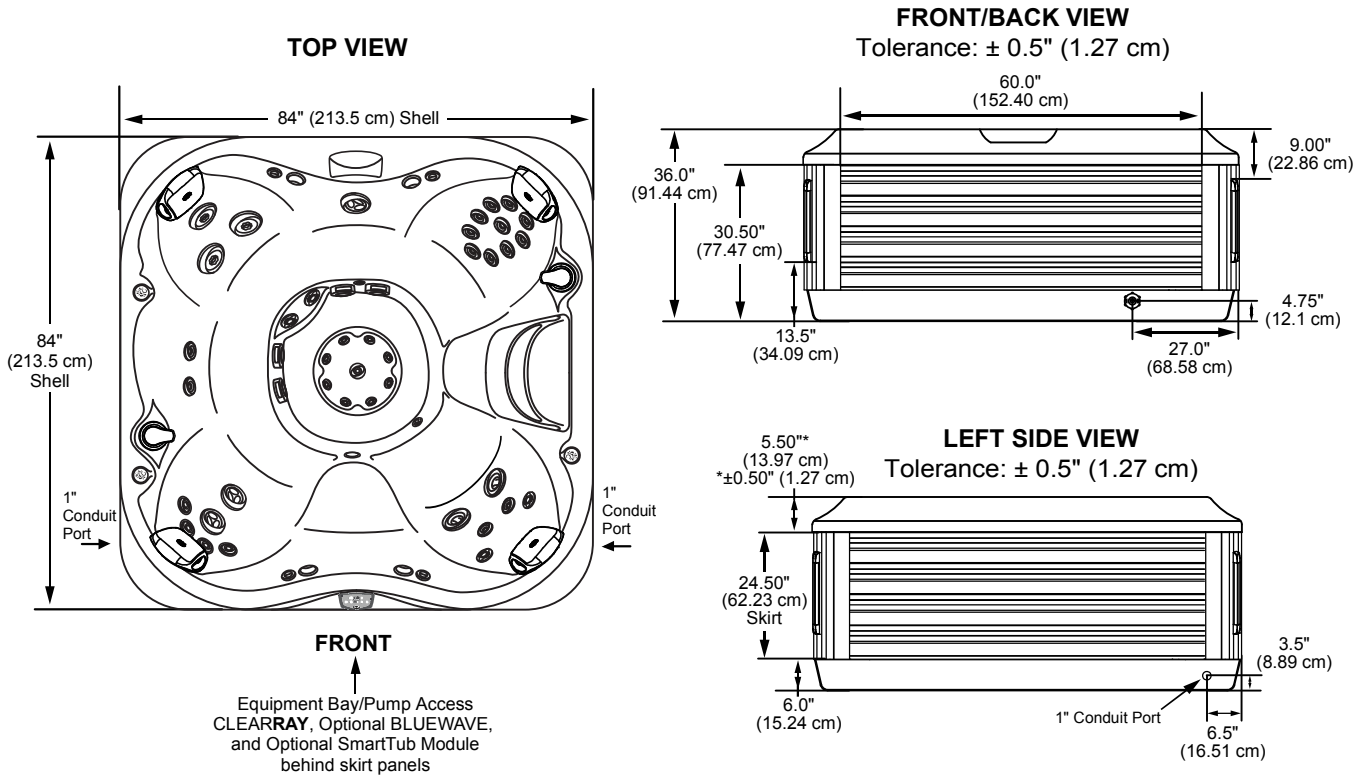
Listed dimensions represent distance from top of acrylic to lowest point in seat. Tolerance  $\pm 0.5"$  (1.27 cm).



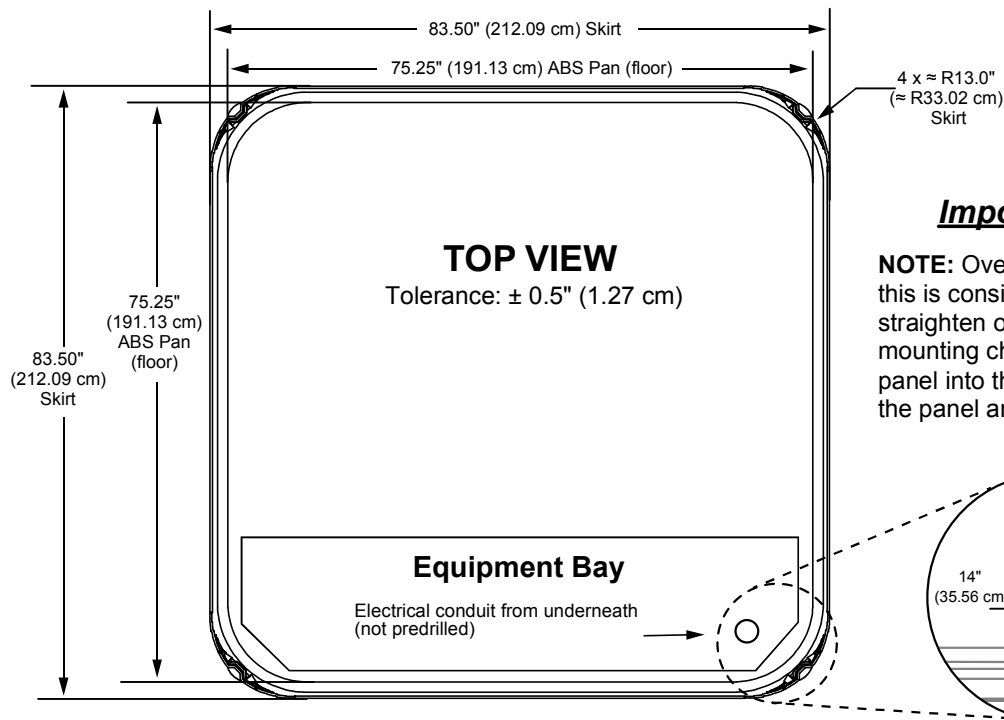
Dimensions/Specifications are Subject to Change Without Notice

# Jacuzzi J-345

## Dimensions



**IMPORTANT!** Always measure each hot tub for exact dimensions **BEFORE** designing its foundational support and/or decking.



Dimensions/specifications subject to change without notice. Tolerance  $\pm 0.5"$  (1.27 cm)

# Jacuzzi J-335

## Specifications

Seating Capacity.....	5-6 Adults
Dimensions .....	84" x 84" x 36" (213.5 cm x 213.5 cm x 91.44 cm); <b>For Complete Dimensions, See page 103</b>
Dry Weight.....	764 lbs (347 kg)
Filled Weight (Spa Volume) .....	4,684 lbs (2,125 kg)
Filled Weight (Average Fill).....	3,683 lbs (1,671 kg)
Water Capacity (Spa Volume) .....	450 US gallons (1,703 Liters)
Water Capacity (Average Fill) .....	350 US gallons (1,325 Liters)
Electronic Controls .....	Solid state electronic controls with LCD readout, programmable temperature, filtration, and heat cycles
Pump 1.....	North America (60 Hz): 1-Speed, 4.8 HP brake, 2.5 HP continuous, 56 Frame <b>Export (50 Hz):.....1-Speed, 2.0 HP continuous</b>
Pump 2.....	North America (60 Hz): 1-Speed, 4.8 HP brake, 2.5 HP continuous, 56 Frame <b>Export (50 Hz):.....1-Speed, 2.0 HP continuous</b>
Circulation Pump.....	Yes, 8-hour
Heater .....	North America (60 Hz): 5.5 kW High Flow <b>Export (50 Hz).....2.7 kW High Flow</b>
Total PowerPro® Jets.....	42
Seat A Jets .....	2 PowerPro® FX Large Rotational
Seat B Jets .....	4 PowerPro® FX, 1 PowerPro® FX Large Rotational, 12 PowerPro® BX
Seat C Jets .....	1 PowerPro® FX Large Rotational
Seat D Jets .....	10 PowerPro® FX, 2 PowerPro® FX Rotational
Seat D HYDROSOOTHE™ Jets .....	2 PowerPro® FX Directional with independent flow rate valve
Seat E Jets .....	2 PowerPro® FX, 2 PowerPro® FX Rotational, 2 PowerPro® FX Large
Footwell (F) .....	2 PowerPro® MX
Massage Selectors .....	2
Air Controls.....	3, On/Off rocker style
Water Management System .....	Two 60 ft <sup>2</sup> filter cartridges; filter 1 on 8-hour circulation pump; filter 2 on jets pump 1; Factory installed CLEARRAY® Water Purification System <b>Export (50 Hz):.....Factory installed CLEARRAY® Water Purification System</b>
LED Lighting .....	One underwater light with 4 color modes, one colored waterfall light, cup holders, 2 HYDROSOOTHE pillow lights, and OPTIONAL exterior light
ProFinish™ Cabinet Colors .....	Modern Hardwood, Brushed Gray, and Smoked Ebony
Acrylic Colors .....	Platinum, Silver Pearl, Sahara, Monaco, Midnight, Porcelain
Headrests .....	4
Waterfall .....	One independent flow rate (on or off) adjustment; powered by the circulation pump
Electrical Requirements: .....	North America (60 Hz): 240 VAC@40A, 50A, or 60A <b>Export (50 Hz): 230-240 VAC@1x32A, 1x20A/1x16A, 3x16A, or suitably rated circuit breaker to comply with local electrical codes. Certain countries may require dual power inputs; two GFCI RCD breakers are required for this configuration.</b>
Warranty*.....	North America (60 Hz): 10 Years Shell, 7 Years Shell Surface, 5 Years Plumbing Component Leaks, 5 Years Equipment and Controls, 5 Years Cabinet, 2 Years Jets, 2 Years Lights, 1 Year Stereo; <b>Export (50 Hz): 10 Years Shell, 7 Years Shell Surface, 5 Years Plumbing Component Leaks, 5 Years Equipment and Controls, 5 Years Cabinet, 2 Years Jets, 2 Years Lights, 2 Years Stereo</b>
Special Features (Optional).....	SmartTub™ Module, Exterior Lights
Audio System (Optional).....	BLUEWAVE® Spa Stereo System (Bluetooth/Aux compatible) with four speakers and subwoofer

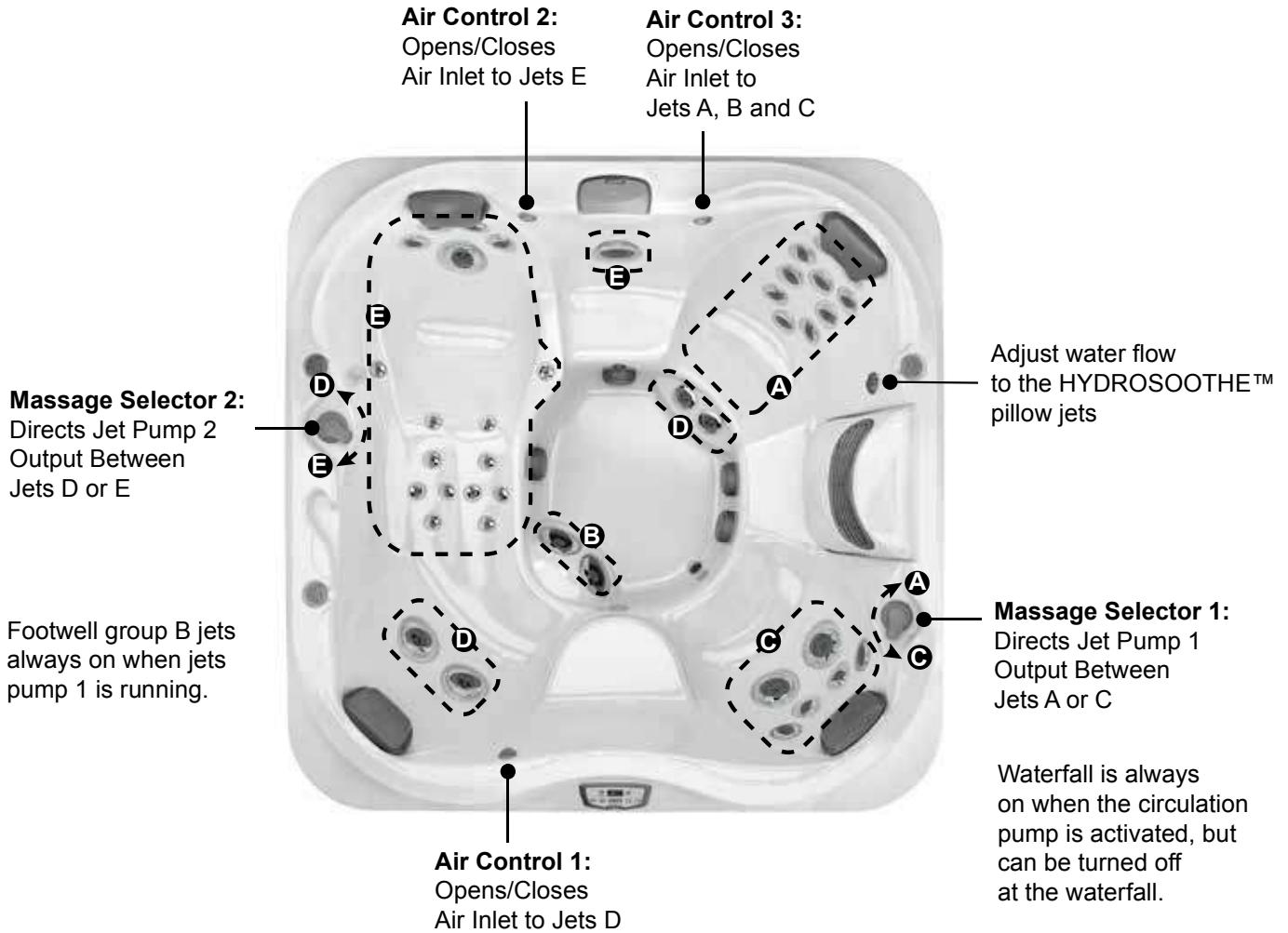


\*(See Warranty Document for Specific Details)

Dimensions/Specifications are Subject to Change Without Notice

# Jacuzzi J-335

## Operation/Seat Depths



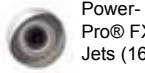
### 42 Total Jets



Power-Pro® BX  
Jets (12)



HYDROSOOTHE  
Jets (2)



Power-Pro® FX  
Jets (16)



Power-Pro® FX  
Rotational  
Jets (4)



Power-Pro® FX  
Large  
Jets (2)



Power-Pro® FX  
Large  
Rotational  
Jets (4)



Power-Pro® MX  
Jets (2)

Spa Operation Subject to Change without Notice

## Seat Depths

**A = 25.75" (65.4 cm)**

**B = 27.50" (69.9 cm)**

**C = 23.50" (59.7 cm)**

**D = 28.25" (71.8 cm)**

**E = 22.75" (57.8 cm)**

**F = 25.50" (64.8 cm)**

**G = 16.75" (42.5 cm)**

**H = 33.50" (85.1 cm)**

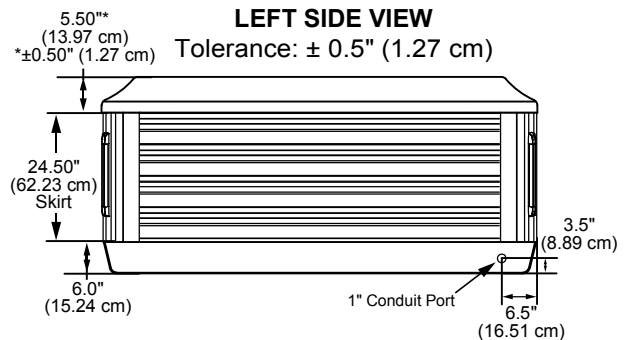
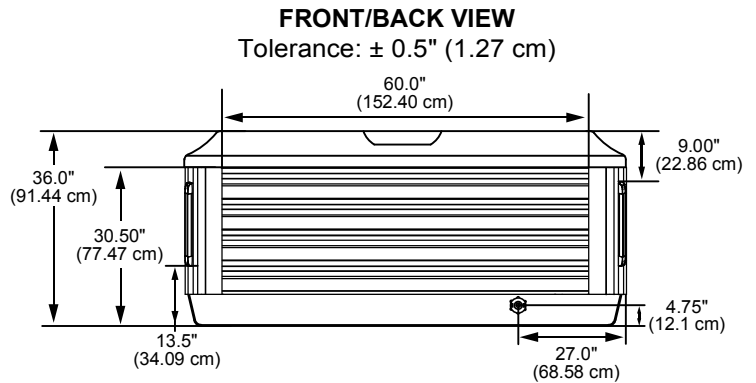
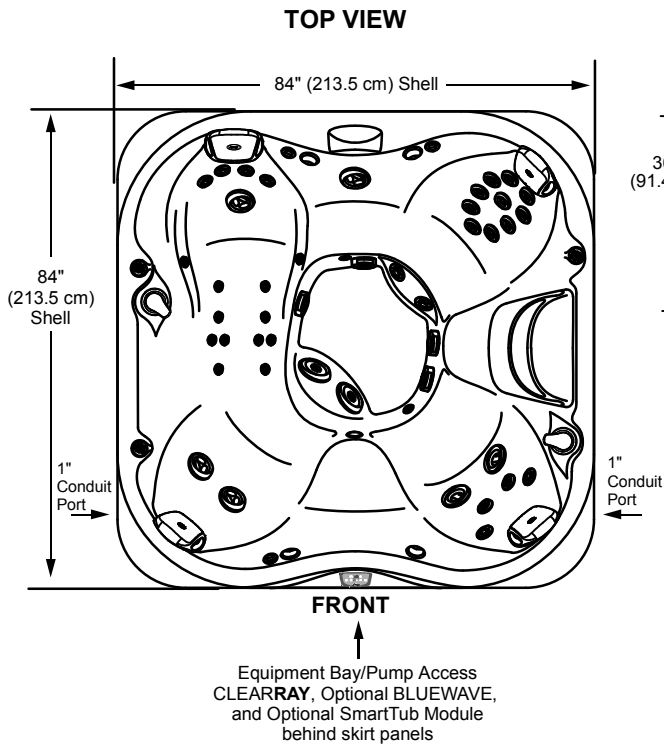
Listed dimensions  
represent distance from  
top of acrylic to lowest  
point in seat. Tolerance  $\pm$   
0.5" (1.27 cm).



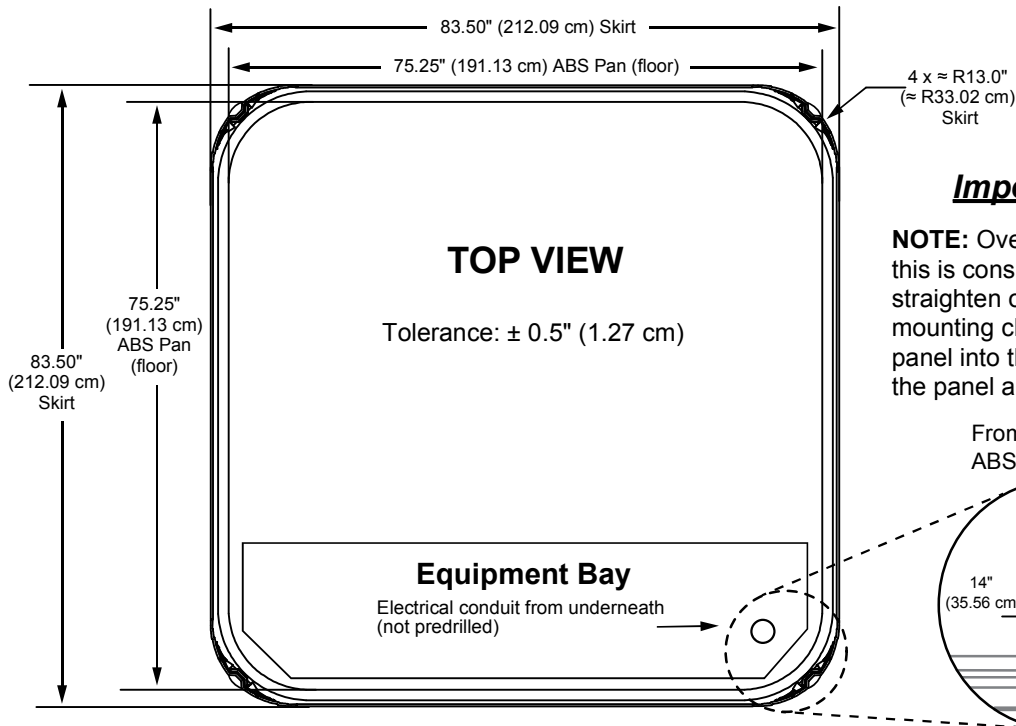
Dimensions/Specifications are Subject to Change Without Notice

# Jacuzzi J-335

## Dimensions



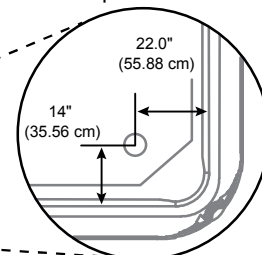
**IMPORTANT!** Always measure each hot tub for exact dimensions **BEFORE** designing its foundational support and/or decking.



### ***Important Panel Details***

**NOTE:** Over time the panel(s) may bow, this is considered normal. The panels will straighten out when reinstalled into the mounting channel. Place one end of the panel into the channel first then flatten the panel and insert the other end.

From the edge of the ABS pan




Dimensions/specifications subject to change without notice. Tolerance  $\pm 0.5"$  (1.27 cm)



# Jacuzzi J-325

## Specifications

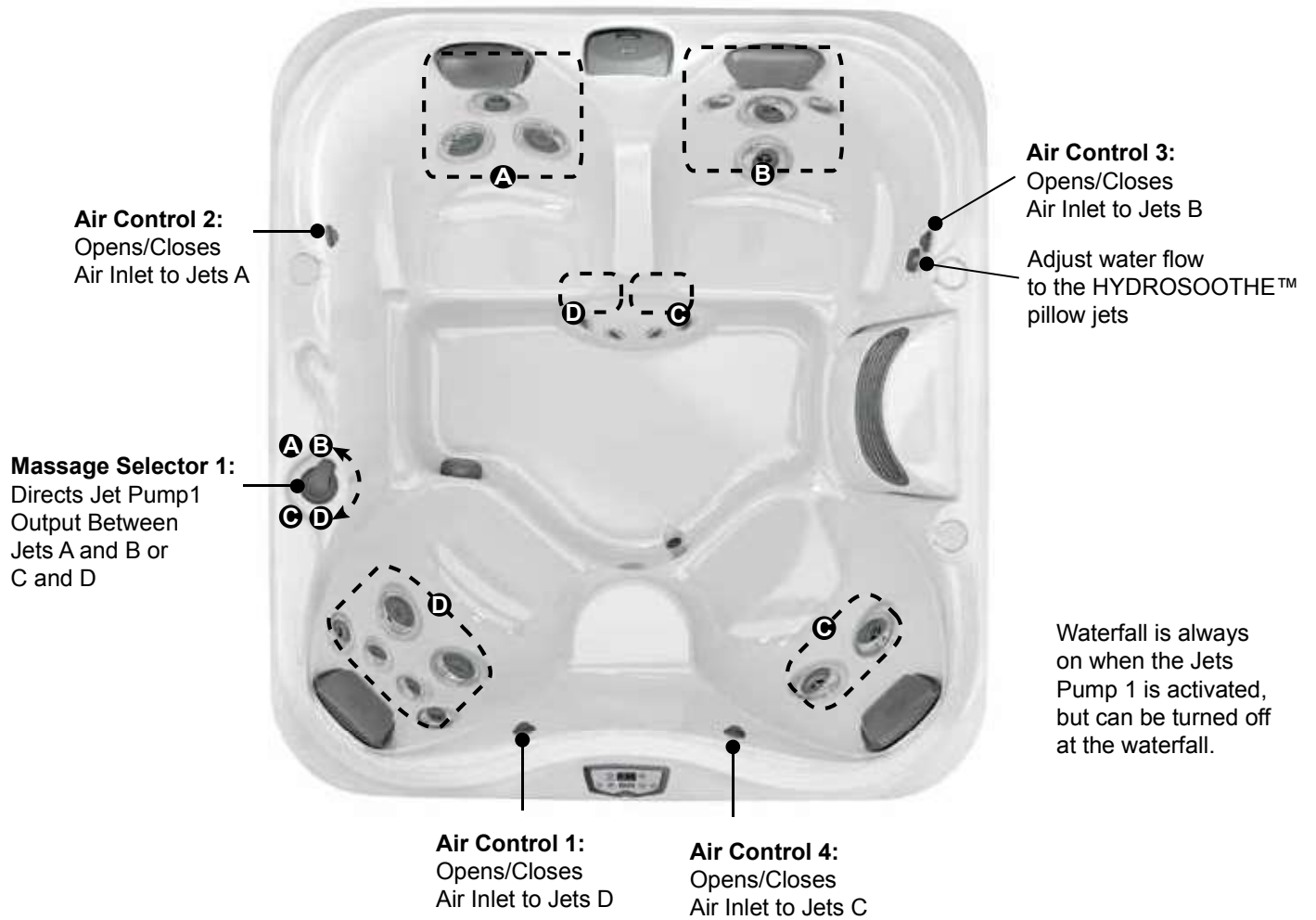
Seating Capacity.....	4-5 Adults	
Dimensions .....	84" x 76" x 33.50" (213.5 cm x 193 cm x 85.09 cm); <b>For Complete Dimensions, See page 103</b>	
Dry Weight.....	619 lbs (281 kg)	
Filled Weight (Spa Volume) .....	4,372 lbs (1,983 kg)	
Filled Weight (Average Fill).....	3,413 lbs (1,548 kg)	
Water Capacity (Spa Volume) .....	450 US gallons (1,703 Liters)	
Water Capacity (Average Fill) .....	335 US gallons (1,268 Liters)	
Electronic Controls .....	Solid state electronic controls with LCD readout, programmable temperature, filtration, and heat cycles	
Pump 1 (Convertible) .....	North America (60 Hz): 1-Speed, 2.5 HP brake, 1.5 HP continuous, 56 Frame	
(3-Wire 240V).....	North America (60 Hz): 1-Speed, 4.8 HP brake, 2.5 HP continuous, 56 Frame	
Export (50 Hz):.....	<b>1-Speed, 2.0 HP continuous</b>	
Circulation Pump.....	Yes, 8-hour	
Heater (Convertible) .....	North America (60 Hz): 1kW/4.0 kW Low Flow	
(3-Wire 240V).....	North America (60 Hz): 4.0 kW Low Flow	
Export (50 Hz).....	<b>2.7 kW Low Flow</b>	
Total PowerPro® Jets.....	23	
Seat A Jets .....	2 PowerPro® FX, 2 PowerPro® FX Rotational, 2 PowerPro® FX Large	
Seat B Jets .....	1 PowerPro® FX Large Rotational, 2 PowerPro® FX Large	
Seat C Jets .....	4 PowerPro® FX, 2 PowerPro® FX Large Rotational	
Seat C HYDROSOOTHE™ Jets .....	2 PowerPro® FX Directional with independent flow rate valve	
Seat D Jets .....	2 PowerPro® FX Large Rotational	
Footwell (E) .....	4 PowerPro® FX Small	
Massage Selectors .....	1	
Air Controls .....	4, On/Off rocker style	
Water Management System .....	Two 60 ft <sup>2</sup> filter cartridges; filter 1 on 8-hour circulation pump; filter 2 on jets pump 1; Factory installed CLEARRAY® Water Purification System	
Export (50 Hz):.....	<b>Factory installed CLEARRAY® Water Purification System</b>	
LED Lighting .....	One underwater light with 4 color modes, one colored waterfall light, 2 HYDROSOOTHE pillow lights, and OPTIONAL exterior light	
ProFinish™ Cabinet Colors .....	Modern Hardwood, Brushed Gray, and Smoked Ebony	
Acrylic Colors .....	Platinum, Silver Pearl, Sahara, Monaco, Midnight, Porcelain	
Headrests .....	4	
Waterfall .....	One independent flow rate (on or off) adjustment; powered by the circulation pump	
Electrical Requirements: .....	North America (60 Hz): Convertible 120 VAC@15A or 240 VAC@30A, 40A, North America (60 Hz): 3-Wire 240V@30A, 40A <b>Export (50 Hz): 230-240 VAC@1x16A or 2x16A, or suitably rated circuit breaker to comply with local electrical codes. Certain countries may require dual power inputs; two GFCI RCD Breakers are required for this configuration.</b>	
Warranty* .....	North America (60 Hz): 10 Years Shell, 7 Years Shell Surface, 5 Years Plumbing Component Leaks, 5 Years Equipment and Controls, 5 Years Cabinet, 2 Years Jets, 2 Years Lights, 1 Year Stereo; <b>Export (50 Hz): 10 Years Shell, 7 Years Shell Surface, 5 Years Plumbing Component Leaks, 5 Years Equipment and Controls, 5 Years Cabinet, 2 Years Jets, 2 Years Lights, 2 Years Stereo</b>	
Special Features (Optional) .....	SmartTub™ Module, Exterior Lights	
Audio System (Optional).....	BLUEWAVE® Spa Stereo System (Bluetooth/Aux compatible) with four speakers and subwoofer	

\*(See Warranty Document for Specific Details)

Dimensions/Specifications are Subject to Change Without Notice

# Jacuzzi J-325

## Operation/Seat Depths



### 23 Total Jets



Spa Operation Subject to Change without Notice

## Seat Depths

- A = 27.38" (69.5 cm)
- B = 27.38" (69.5 cm)
- C = 27.38" (69.5 cm)
- D = 25.75" (65.4 cm)
- E = 16.63" (42.2 cm)
- F = 31.25" (79.4 cm)

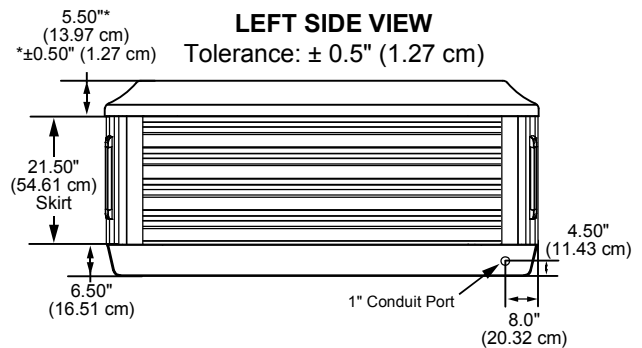
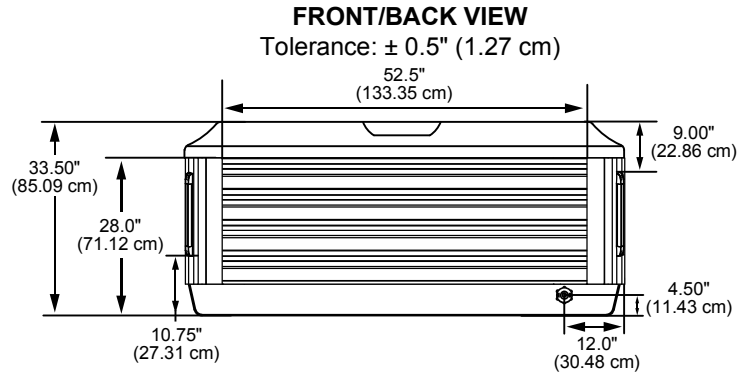
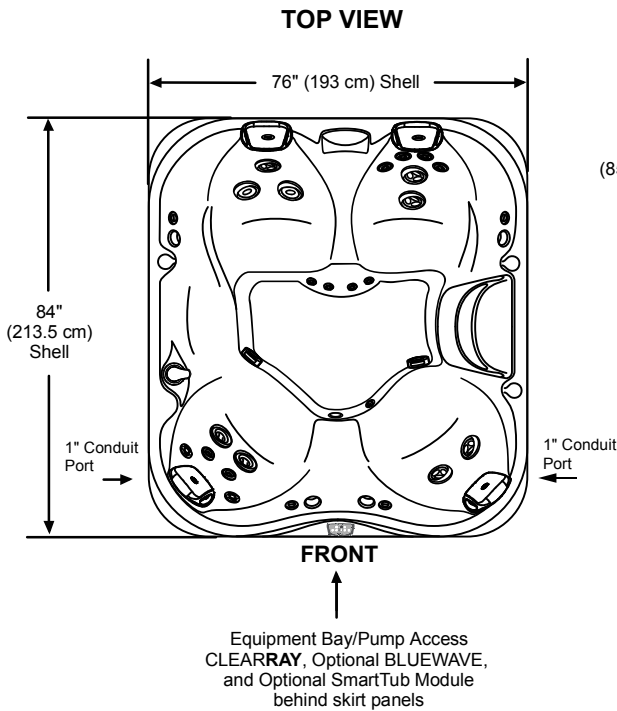
Listed dimensions represent distance from top of acrylic to lowest point in seat.  
Tolerance  $\pm 0.5"$  (1.27 cm).



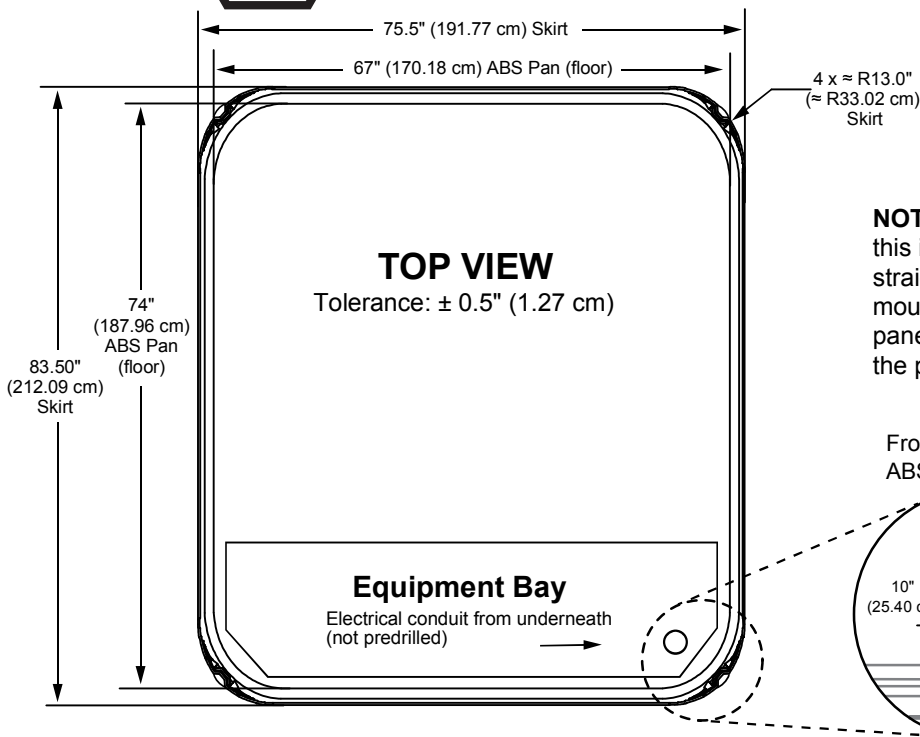
Dimensions/Specifications are Subject to Change Without Notice

# Jacuzzi J-325

## Dimensions



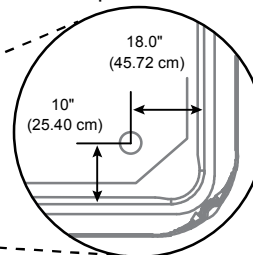
**IMPORTANT!** Always measure each hot tub for exact dimensions **BEFORE** designing its foundational support and/or decking.



### Important Panel Details

**NOTE:** Over time the panel(s) may bow, this is considered normal. The panels will straighten out when reinstalled into the mounting channel. Place one end of the panel into the channel first then flatten the panel and insert the other end.

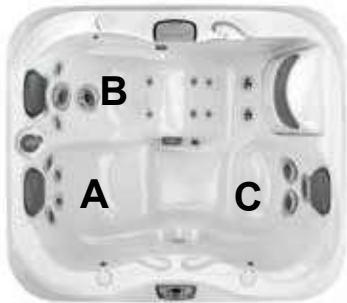
From the edge of the ABS pan



Dimensions/specifications subject to change without notice. Tolerance  $\pm 0.5"$  (1.27 cm)

# Jacuzzi J-315

## Specifications

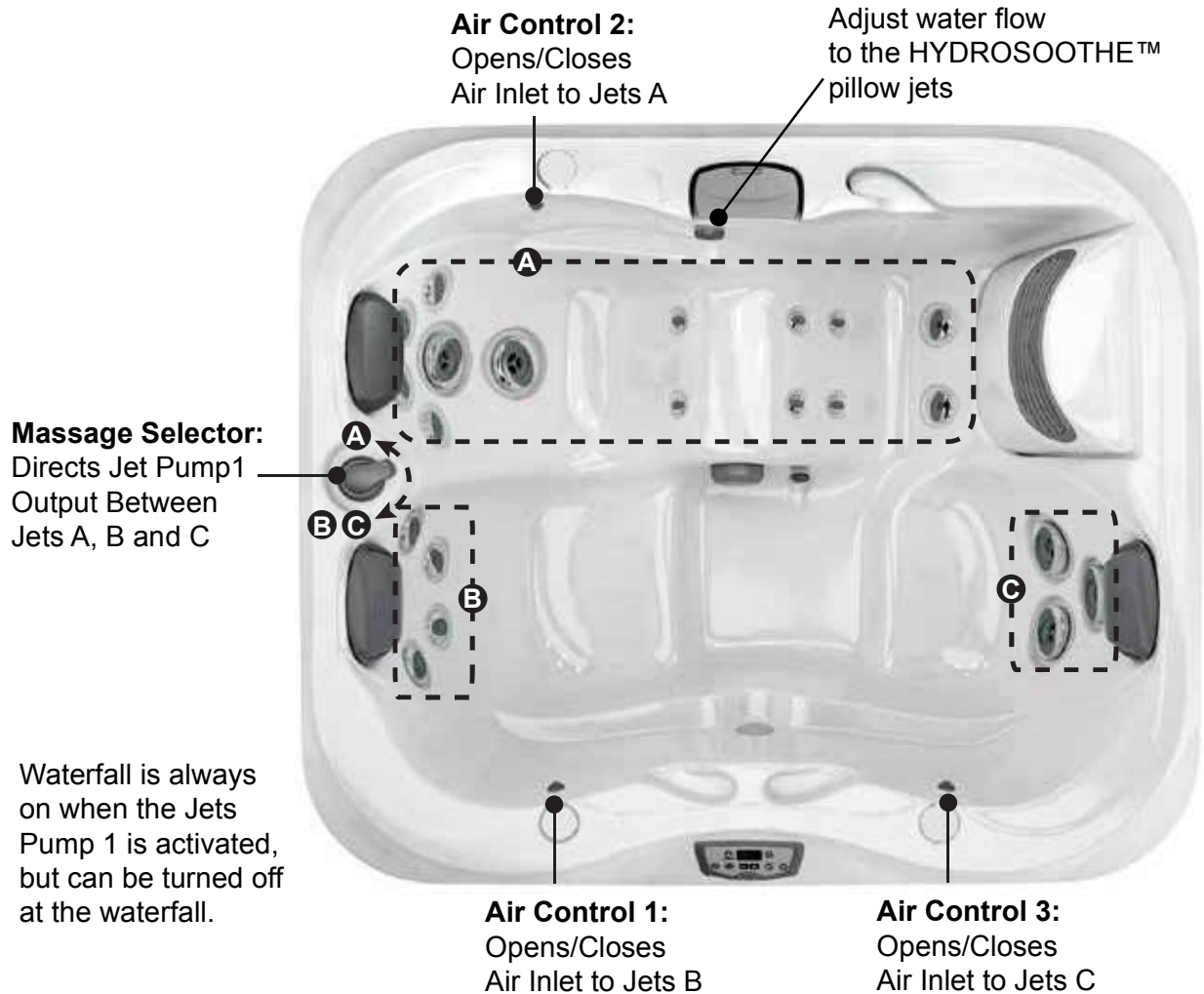
<b>Seating Capacity</b> .....	2-3 Adults	
<b>Dimensions</b> .....	66" x 76" x 31.75" (168 cm x 193 cm x 80.65 cm); <b>For Complete Dimensions, See page 103</b>	
<b>Dry Weight</b> .....	531 lbs (241 kg)	
<b>Filled Weight (Spa Volume)</b> .....	2,866 lbs (1,300 kg)	
<b>Filled Weight (Average Fill)</b> .....	2,282 lbs (1,035 kg)	
<b>Water Capacity (Spa Volume)</b> .....	280 US gallons (1,060 Liters)	
<b>Water Capacity (Average Fill)</b> .....	210 US gallons (795 Liters)	
<b>Electronic Controls</b> .....	Solid state electronic controls with LCD readout, programmable temperature, filtration, and heat cycles	
<b>Pump 1 (Convertible)</b> .....	North America (60 Hz): 1-Speed, 2.5 HP brake, 1.5 HP continuous, 56 Frame	
<b>(3-Wire 240V)</b> .....	North America (60 Hz): 1-Speed, 4.8 HP brake, 2.5 HP continuous, 56 Frame	
<b>Export (50 Hz):</b> .....	<b>1-Speed, 2.0 HP continuous</b>	
<b>Circulation Pump</b> .....	Yes, 8-hour	
<b>Heater (Convertible)</b> .....	North America (60 Hz): 1kW/4.0 kW Low Flow	
<b>(3-Wire 240V)</b> .....	North America (60 Hz): 4.0 kW Low Flow	
<b>Export (50 Hz)</b> .....	<b>2.7 kW Low Flow</b>	
<b>Total PowerPro® Jets</b> .....	23	
<b>Seat A Jets</b> .....	2 PowerPro® FX Rotational, 2 PowerPro® FX	
<b>Seat B Jets</b> .....	6 PowerPro® FX, 2 PowerPro® FX Large Rotational, 6 PowerPro® BX	
<b>Seat B HYDROSOOTHE™ Jets</b> .....	2 PowerPro® FX Directional with independent flow rate valve	
<b>Seat C Jets</b> .....	1 PowerPro® FX Large Rotational, 2 PowerPro® FX Large Rotational	
<b>Massage Selectors</b> .....	1	
<b>Air Controls</b> .....	3, On/Off rocker style	
<b>Water Management System</b> .....	Two 60 ft <sup>2</sup> filter cartridges; filter 1 on 8-hour circulation pump; filter 2 on jets pump 1; Factory installed CLEARRAY® Water Purification System	
<b>Export (50 Hz):</b> .....	<b>Factory installed CLEARRAY® Water Purification System</b>	
<b>LED Lighting</b> .....	One underwater light with 4 color modes, one colored waterfall light, 2 HYDROSOOTHE pillow lights, and OPTIONAL exterior light	
<b>ProFinish™ Cabinet Colors</b> .....	Modern Hardwood, Brushed Gray, and Smoked Ebony	
<b>Acrylic Colors</b> .....	Platinum, Silver Pearl (Gypsum), Monaco, Midnight, Sahara, Porcelain	
<b>Headrests</b> .....	3	
<b>Waterfall</b> .....	One independent flow rate (on or off) adjustment; powered by the circulation pump	
<b>Electrical Requirements:</b> .....	North America (60 Hz): Convertible 120 VAC@15A or 240 VAC@30A, 40A North America (60 Hz): 3-Wire 240V@30A, 40A <b>Export (50 Hz): 230-240 VAC@1x16A, or 2x16A, or suitably rated circuit breaker to comply with local electrical codes. Certain countries may require dual power inputs; two GFCI RCD breakers are required for this configuration.</b>	
<b>Warranty*</b> .....	North America (60 Hz): 10 Years Shell, 7 Years Shell Surface, 5 Years Plumbing Component Leaks, 5 Years Equipment and Controls, 5 Years Cabinet, 2 Years Jets, 2 Years Lights, 1 Year Stereo; <b>Export (50 Hz): 10 Years Shell, 7 Years Shell Surface, 5 Years Plumbing Component Leaks, 5 Years Equipment and Controls, 5 Years Cabinet, 2 Years Jets, 2 Years Lights, 2 Years Stereo</b>	
<b>Special Features (Optional)</b> .....	SmartTub™ Module, Exterior Lights	
<b>Audio System (Optional)</b> .....	BLUEWAVE® Spa Stereo System (Bluetooth/Aux compatible) with four speakers and subwoofer	

\*(See Warranty Document for Specific Details)

Dimensions/Specifications are Subject to Change Without Notice

# Jacuzzi J-315

## Operation/Seat Depths

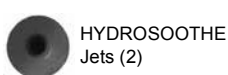


Waterfall is always on when the Jets Pump 1 is activated, but can be turned off at the waterfall.

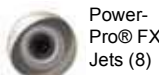
### 23 Total Jets



Power-Pro® BX Jets (6)



HYDROSOOTHE™ Jets (2)



Power-Pro® FX Jets (8)



Power-Pro® FX Rotational Jets (2)



Power-Pro® FX Large Jets (2)



Power-Pro® FX Large Rotational Jets (3)

Spa Operation Subject to Change without Notice

## Seat Depths

- A = 27.50" (69.9 cm)
- B = 26.25" (66.7 cm)
- C = 27.88" (70.8 cm)
- D = 26.75" (69.4 cm)
- E = 27.50" (69.9 cm)

Listed dimensions represent distance from top of acrylic to lowest point in seat. Tolerance  $\pm 0.5"$  (1.27 cm).

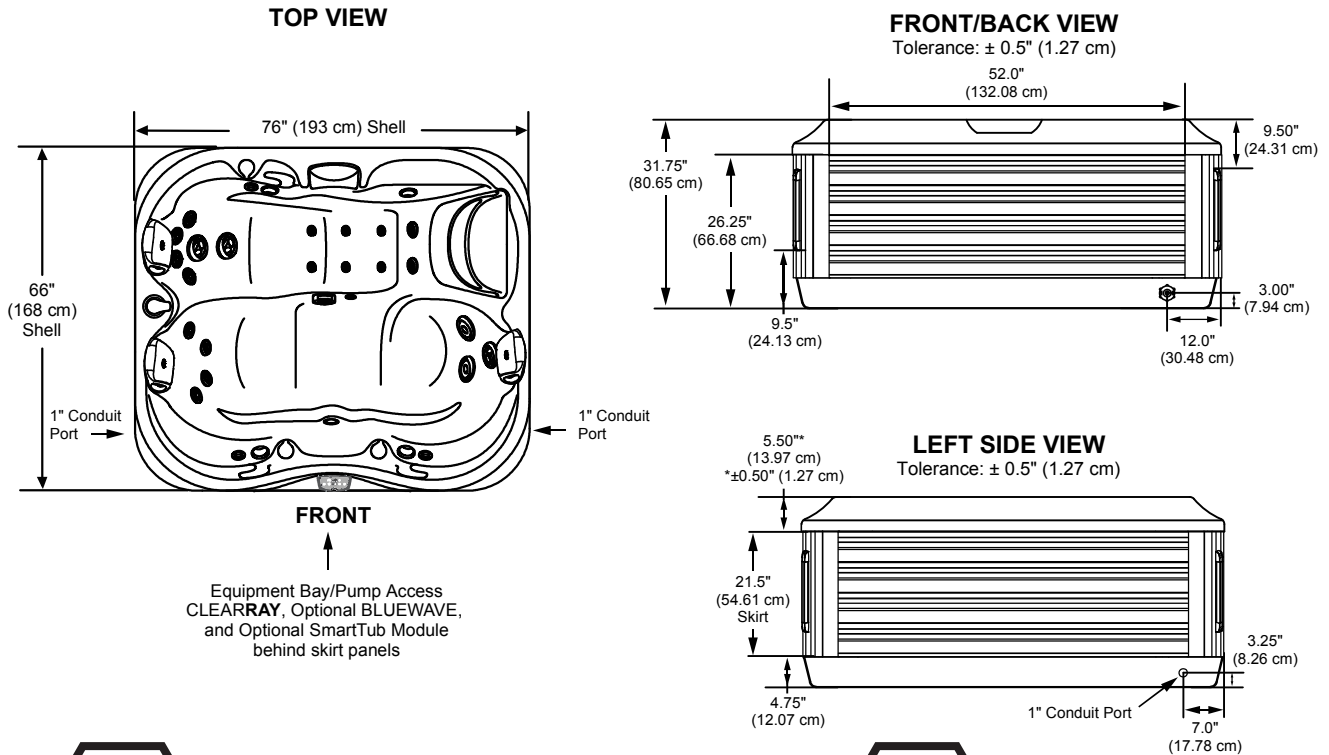


Dimensions/Specifications are Subject to Change Without Notice



# Jacuzzi J-315

## Dimensions

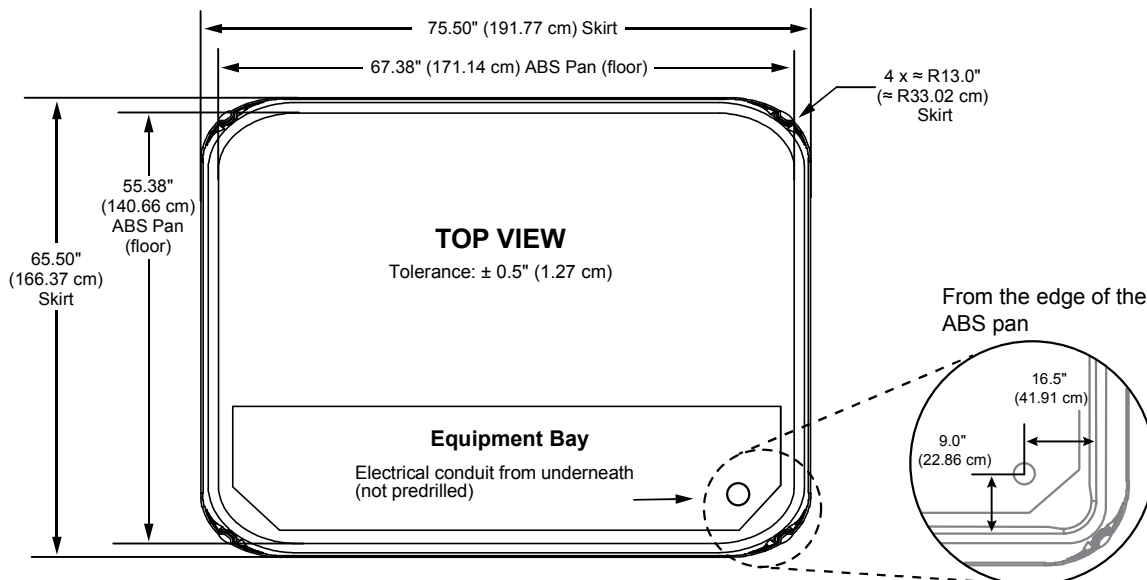


**IMPORTANT!** Always measure each hot tub for exact dimensions **BEFORE** designing its foundational support and/or decking.



### Important Panel Details

**NOTE:** Over time the panel(s) may bow, this is considered normal. The panels will straighten out when reinstalled into the mounting channel. Place one end of the panel into the channel first then flatten the panel and insert the other end.



Dimensions/specifications subject to change without notice. Tolerance  $\pm 0.5"$  (1.27 cm)