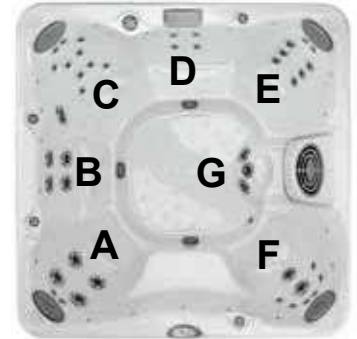


Jacuzzi J-280

Specifications

Seating Capacity	6-7 Adults
Dimensions	90" x 90" x 36.5" (228.6 cm x 228.6 cm x 92.7 cm); For Complete Dimensions, See page 104
Dry Weight	885 lbs (401 kg)
Filled Weight (Spa Volume)	5,639 lbs (2,558 kg)
Filled Weight (Average Fill)	4,721 lbs (2,142 kg)
Water Capacity (Spa Volume)	570 US gallons (2,158 Liters)
Water Capacity (Average Fill)	460 US gallons (1,741 Liters)
Electronic Controls	Solid state electronic controls with LED readout, programmable temperature, filtration, and heat cycles
Pump 1	North America (60 Hz): 2-Speed, 4.5 HP brake, 2.5 HP continuous, 56 Frame Export (50 Hz):.....2-Speed, 2.0 HP continuous
Pump 2	North America (60 Hz): 1-Speed, 4.8 HP brake, 2.5 HP continuous, 56 Frame Export (50 Hz):.....1-Speed, 2.0 HP continuous
Circulation Pump	No
Total Jets	44
Seat A Jets	2 Classic PRO Accu-Pressure, 4 Classic PRO Duo Rotator
Seat B Jets	2 Classic PRO Directional, 2 Classic PRO Duo Rotator
Seat C Jets	2 Classic PRO Pulsating, 8 Classic PRO Accu-Pressure, 1 Classic PRO Turbo
Seat D Jets	4 Classic PRO Accu-Pressure
Seat E Jets	2 Classic PRO Accu-Pressure, 6 Classic PRO Mini Duo Rotator
Seat F Jets	2 Classic PRO Duo Rotator, 2 Classic PRO Pulsating, 4 Classic PRO Accu-Pressure
Footwell (G)	3 Classic PRO Directional
Massage Selectors	1
Air Controls	4
Water Management System	One 95 ft ² filter cartridge on jets pump 1, Factory installed CLEARRAY® Water Purification System Export (50 Hz):.....Factory installed CLEARRAY® Water Purification System
LED Lighting	Classic lighting package of 22 perimeter LED lights, 3 waterfall lights and footwell multi-color LED light
Synthetic Cabinet Colors	Silverwood, Roasted Chestnut, Brazilian Teak
Acrylic Colors	Platinum, Silver Pearl, Sahara, Monaco, Midnight, Porcelain
Headrests	4
Electrical Requirements:	North America (60 Hz): 240 VAC@40A, 50A or 60A Export (50 Hz): 230-240 VAC@20A, 30A or 40A, or suitably rated circuit breaker to comply with local electrical codes. Certain countries may require dual power inputs; two GFCI RCD breakers are required for this configuration.
Warranty*	North America (60 Hz): 5 Years Shell, 3 Years Shell Surface, 3 Years Plumbing Component Leaks, 3 Years Equipment and Controls, 1 Year Cabinet, 1 Year Jets, 1 Year Stereo Export (50 Hz): 5 Years Shell, 3 Years Shell Surface, 3 Years Plumbing Component Leaks, 3 Years Equipment and Controls, 1 Year Cabinet, 1 Year Jets, 2 Years Stereo
Special Features (Optional)	SmartTub™ Module
Audio System (Optional)	N/A
Alternative Insulation (Option): ..	Yes



*(See Warranty Document for Specific Details)

Dimensions/Specifications are Subject to Change Without Notice

Jacuzzi J-280

Operation/Seat Depths

Massage Selector 1:
Directs Jet Pump 2 Output Between
Jets B, C or D

Air Control 4:
Opens/Closes Air Inlet to
Jets D

Air Control 3:
Opens/Closes
Air Inlet to Jets C

Air Control 2:
Opens/Closes
Air Inlet to Jets B

Waterfall can be
turned off at the
waterfall. Flow
valve on side of
waterfall.



- **Jets A Powered by Jet Pump 1**
- **Jets B, C and D Powered by Jet Pump 2**

Air Control 1:
Opens/Closes Air Inlet to Jets A

44 Total Jets



Classic
PRO
Accu-
Pressure
Jets (20)



Classic
PRO
Pulsating
Jets (4)



Classic
PRO
Mini Duo
Rotator
Jets (6)



Classic
PRO Duo
Rotator
Jets (8)



Classic
PRO
Directional
Jets (5)



Classic
PRO
Turbo Jet
(1)

Spa Operation Subject to Change without Notice

Seat Depths

A = 28.00" (71.1 cm)

B = 24.00" (60.6 cm)

C = 26.50" (67.3 cm)

D = 24.50" (62.2 cm)

E = 16.00" (40.6 cm)

F = 25.50" (64.8 cm)

G = 23.00" (58.4 cm)

H = 30.00" (76.2 cm)

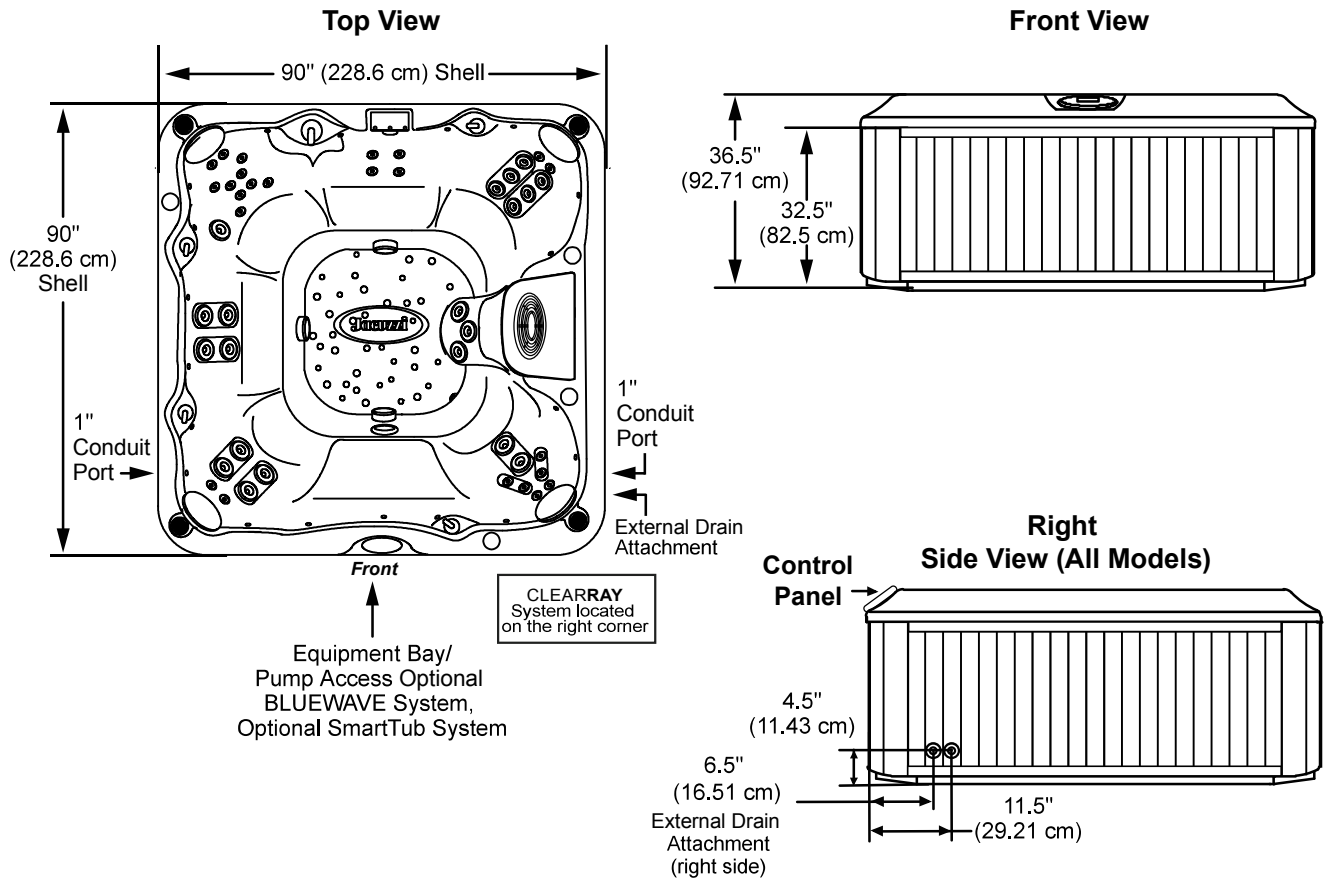
Listed dimensions
represent distance from
top of acrylic to lowest
point in seat. Tolerance
± 0.5" (1.27 cm).



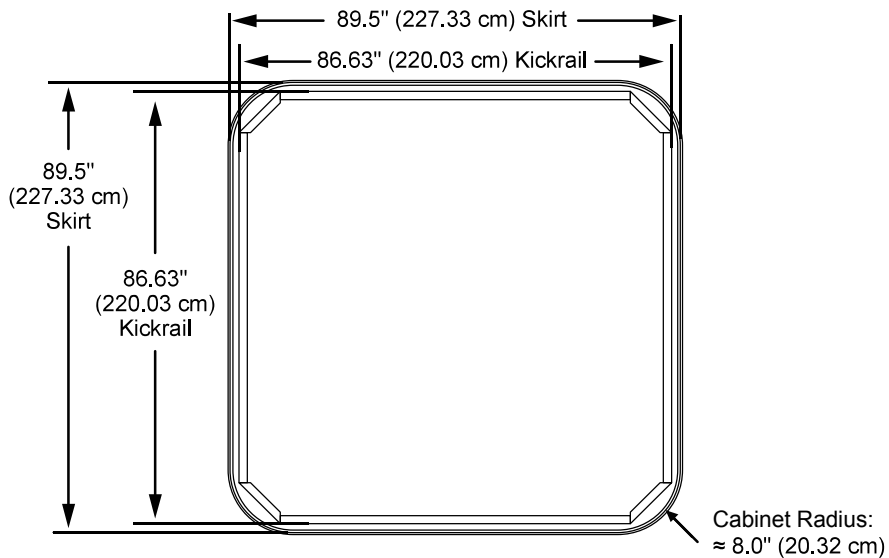
Dimensions/Specifications are Subject to Change Without Notice

Jacuzzi J-280

Dimensions



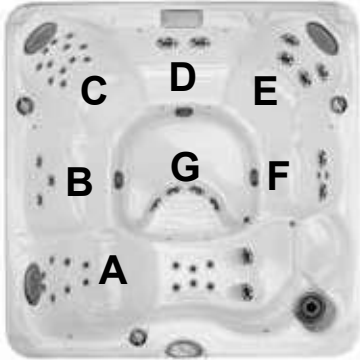
IMPORTANT! Always measure each hot tub for exact dimensions BEFORE designing its foundational support and/or decking.



Dimensions/specifications subject to change without notice. Tolerance $\pm 0.5"$ (1.27 cm)

Jacuzzi J-275

Specifications

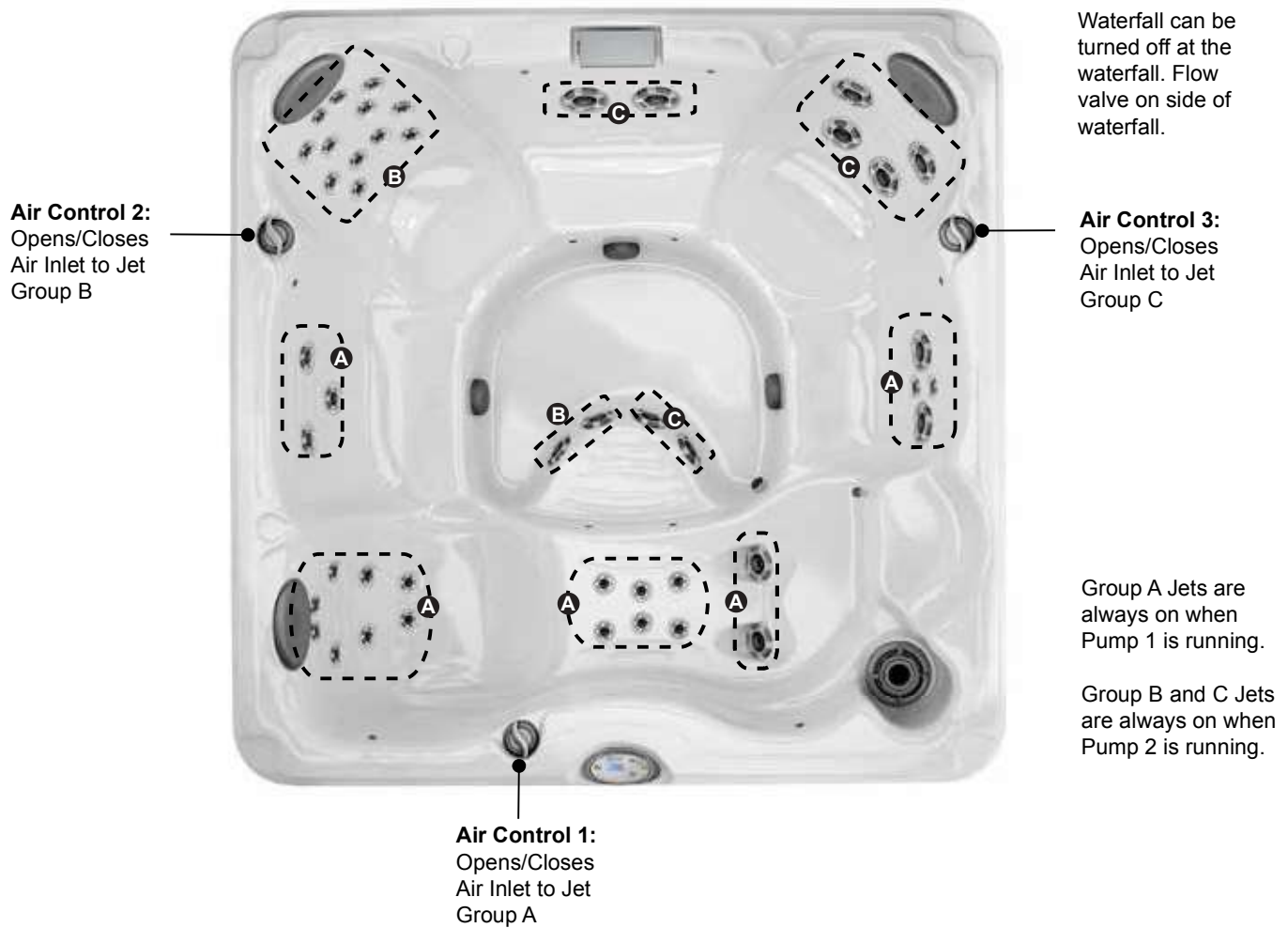
Seating Capacity	6 Adults	
Dimensions	90" x 90" x 36.5" (228.6 cm x 228.6 cm x 92.7 cm); For Complete Dimensions, See page 104	
Dry Weight	807 lbs (366 kg)	
Filled Weight (Spa Volume)	5,227 lbs (2,371 kg)	
Filled Weight (Average Fill)	4,310 lbs (1,955 kg)	
Water Capacity (Spa Volume) ...	530 US gallons (2,006 Liters)	
Water Capacity (Average Fill) ...	420 US gallons (1,590 Liters)	
Electronic Controls	Solid state electronic controls with LED readout, programmable temperature, filtration, and heat cycles	
Pump 1	North America (60 Hz): 2-Speed, 4.5 HP brake, 2.5 HP continuous, 56 Frame Export (50 Hz): 2-Speed, 2.0 HP continuous	
Pump 2	North America (60 Hz): 1-Speed, 4.8 HP brake, 2.5 HP continuous, 56 Frame Export (50 Hz): 1-Speed, 2.0 HP continuous	
Circulation Pump	No	
Total Jets	45	
Seat A Jets	2 Classic PRO Directional, 8 Classic PRO Pulsating, 6 Classic PRO Accu-Pressure	
Seat B Jets	3 Classic PRO Mini Duo Rotator	
Seat C Jets	6 Classic PRO Pulsating, 6 Classic PRO Accu-Pressure	
Seat D Jets	2 Classic PRO Power Multiport	
Seat E Jets	2 Classic PRO Directional, 2 Classic PRO Duo Rotator	
Seat F Jets	2 Classic PRO Accu-Pressure, 2 Classic PRO Duo Rotator	
Footwell (G)	4 Classic PRO Directional	
Massage Selectors	None	
Air Controls	3	
Water Management System	One 50 ft ² filter cartridge on jets pump 1, Factory installed CLEARRAY® Water Purification System Export (50 Hz): Factory installed CLEARRAY® Water Purification System	
LED Lighting	Classic lighting package of 10 LED lights	
Synthetic Cabinet Colors	Silverwood, Roasted Chestnut, Brazilian Teak	
Acrylic Colors	Platinum, Silver Pearl, Sahara, Monaco, Midnight, Porcelain	
Headrests	3	
Electrical Requirements:	North America (60 Hz): 240 VAC@40A, 50A or 60A Export (50 Hz): 230 VAC@20A, 30A or 40A, or suitably rated circuit breaker to comply with local electrical codes. Certain countries may require dual power inputs; two GFCI RCD breakers are required for this configuration.	
Warranty*	North America (60 Hz): 5 Years Shell, 3 Years Shell Surface, 3 Years Plumbing Component Leaks, 3 Years Equipment and Controls, 1 Year Cabinet, 1 Year Jets, 1 Year Stereo Export (50 Hz): 5 Years Shell, 3 Years Shell Surface, 3 Years Plumbing Component Leaks, 3 Years Equipment and Controls, 1 Year Cabinet, 1 Year Jets, 2 Years Stereo	
Special Features (Optional)	SmartTub™ Module	
Audio System (Optional)	N/A	
Alternative Insulation (Option): ..	Yes	

*(See Warranty Document for Specific Details)

Dimensions/Specifications are Subject to Change Without Notice

Jacuzzi J-275

Operation/Seat Depths



45 Total Jets



Spa Operation Subject to Change without Notice

Seat Depths

A = 25.50" (64.8 cm)
B = 24.75" (62.9 cm)
C = 26.25" (66.7 cm)
D = 22.00" (55.9 cm)
E = 25.25" (64.1 cm)
F = 23.75" (60.3 cm)

G = 7.00" (17.8 cm)
H = 24.50" (62.3 cm)
I = 31.75" (80.6 cm)

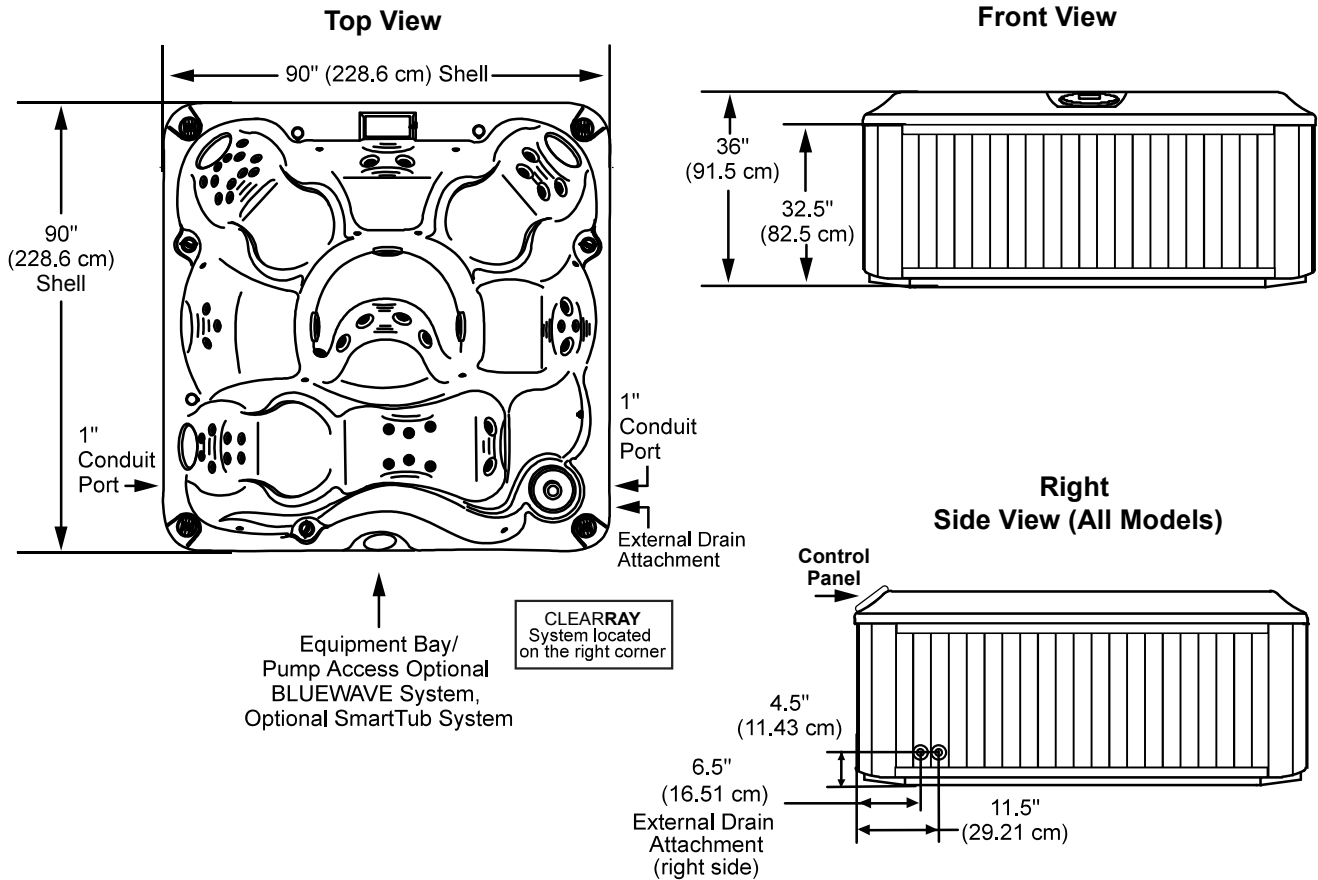
Listed dimensions represent distance from top of acrylic to lowest point in seat. Tolerance $\pm 0.5"$ (1.27 cm).



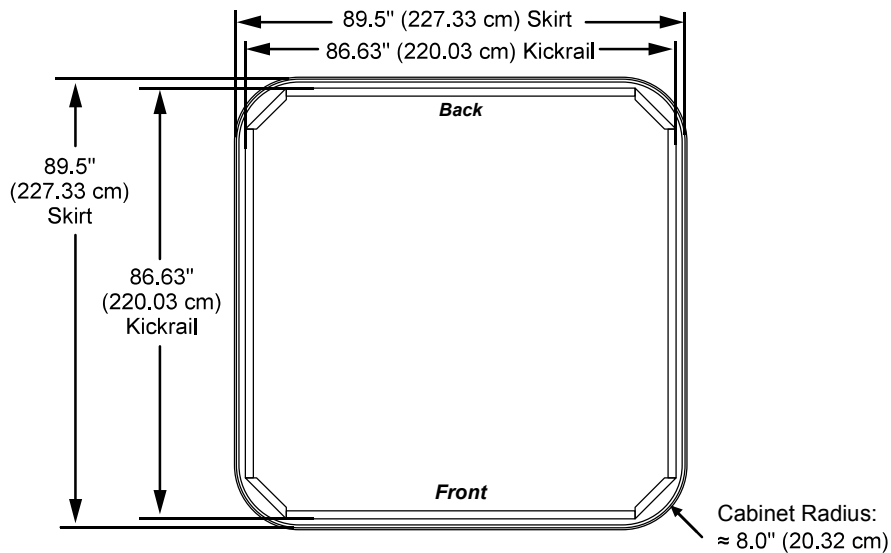
Dimensions/Specifications are Subject to Change Without Notice

Jacuzzi J-275

Dimensions



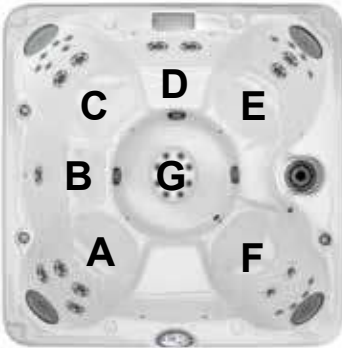
IMPORTANT! Always measure each hot tub for exact dimensions BEFORE designing its foundational support and/or decking.



Dimensions/specifications subject to change without notice. Tolerance $\pm 0.5"$ (1.27 cm)

Jacuzzi J-245

Specifications

Seating Capacity	6-7 Adults	
Dimensions	84" x 84" x 36" (213.5 cm x 213.5 cm x 91.5 cm); For Complete Dimensions, See page 104	
Dry Weight	827 lbs (375 kg)	
Filled Weight (Spa Volume)	4,747 lbs (2,153 kg)	
Filled Weight (Average Fill)	3,829 lbs (1,737 kg)	
Water Capacity (Spa Volume)	470 US gallons (1,779 Liters)	
Water Capacity (Average Fill)	360 US gallons (1,363 Liters)	
Electronic Controls	Solid state electronic controls with LED readout, programmable temperature, filtration, and heat cycles	
Pump 1	North America (60 Hz): 2-Speed, 4.5 HP brake, 2.5 HP continuous, 56 Frame Export (50 Hz):.....2-Speed, 2.0 HP continuous	
Pump 2	North America (60 Hz): 1-Speed, 4.8 HP brake, 2.5 HP continuous, 56 Frame Export (50 Hz):.....1-Speed, 2.0 HP continuous	
Circulation Pump	No	
Total Jets	35	
Seat A	2 Classic PRO Directional, 2 Classic PRO Mini Duo Rotator	
Seat B	1 Classic PRO Power Multiport	
Seat C	2 Classic PRO Power Rotator, 2 Classic PRO Pulsating, 4 Classic PRO Accu-Pressure	
Seat D	2 Classic PRO Power Rotopulse	
Seat E	2 Classic PRO Duo Rotator, 4 Classic PRO Accu-Pressure	
Seat F	2 Classic PRO Power Rotator, 4 Classic PRO Accu-Pressure	
Footwell (G)	8 Classic PRO Accu-Pressure	
Massage Selectors	None	
Air Controls	3	
Water Management System	One 50 ft ² filter cartridge on jets pump 1, Factory installed CLEARRAY® Water Purification System Export (50 Hz):.....Factory installed CLEARRAY® Water Purification System	
LED Lighting	Classic lighting package of 10 LED lights	
Synthetic Cabinet Colors	Silverwood, Roasted Chestnut, Brazilian Teak	
Acrylic Colors	Platinum, Silver Pearl, Sahara, Monaco, Midnight, Porcelain	
Headrests	4	
Electrical Requirements:	North America (60 Hz): 240 VAC@40A, 50A or 60A Export (50 Hz): 230-240 VAC@20A, 30A or 40A, or suitably rated circuit breaker to comply with local electrical codes. Certain countries may require dual power inputs; two GFCI RCD breakers are required for this configuration.	
Warranty*	North America (60 Hz): 5 Years Shell, 3 Years Shell Surface, 3 Years Plumbing Component Leaks, 3 Years Equipment and Controls, 1 Year Cabinet, 1 Year Jets, 1 Year Stereo Export (50 Hz): 5 Years Shell, 3 Years Shell Surface, 3 Years Plumbing Component Leaks, 3 Years Equipment and Controls, 1 Year Cabinet, 1 Year Jets, 2 Years Stereo	
Special Features (Optional)	SmartTub™ Module	
Audio System (Optional)	N/A	
Alternative Insulation (Option): ..	Yes	

*(See Warranty Document for Specific Details)

Dimensions/Specifications are Subject to Change Without Notice

Jacuzzi J-245

Operation/Seat Depths



35 Total Jets



Classic PRO Accu-Pressure Jets (20)



Classic PRO Pulsating Jets (2)



Classic PRO Mini Duo Rotator Jets (2)



Classic PRO Duo Rotator Jets (2)



Classic PRO Directional Jets (2)



Classic PRO Power Rotor Jets (4)



Classic PRO Power Rotor Jet (2)



Classic PRO Power Multiport Jet (1)

Spa Operation Subject to Change without Notice

Seat Depths

A = 25.75" (65.4 cm)

B = 25.00" (63.5 cm)

C = 26.50" (67.3 cm)

D = 22.00" (55.9 cm)

E = 25.25" (64.1 cm)

F = 26.50" (67.3 cm)

G = 16.00" (40.6 cm)

H = 32.00" (81.3 cm)

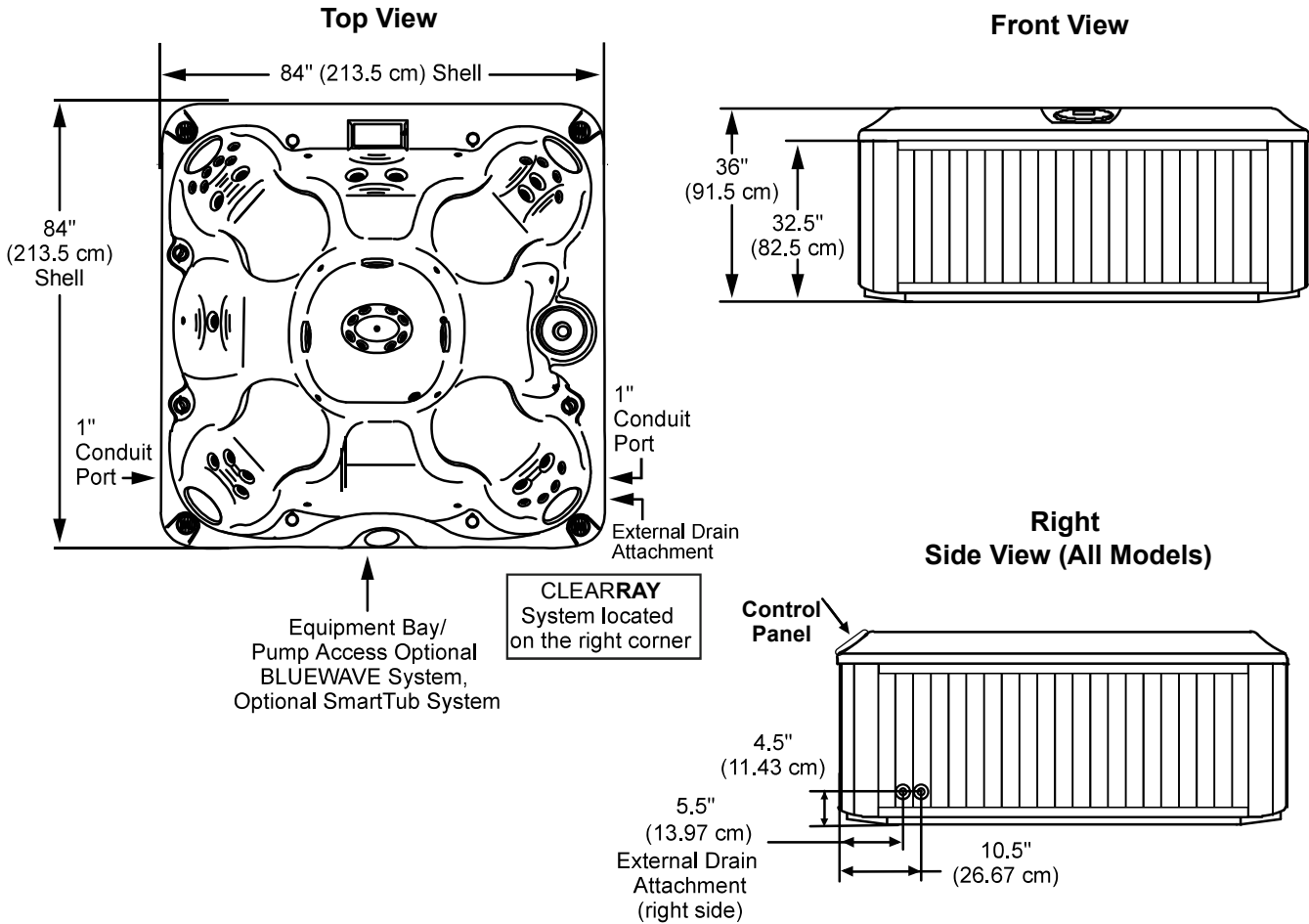
Listed dimensions represent distance from top of acrylic to lowest point in seat. Tolerance $\pm 0.5"$ (1.27 cm).



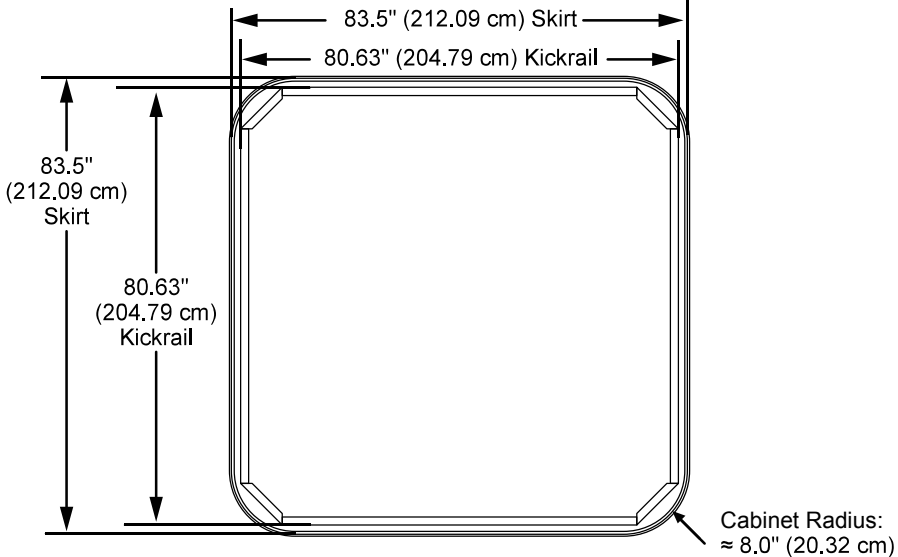
Dimensions/Specifications are Subject to Change Without Notice

Jacuzzi J-245

Dimensions



IMPORTANT! Always measure each hot tub for exact dimensions BEFORE designing its foundational support and/or decking.

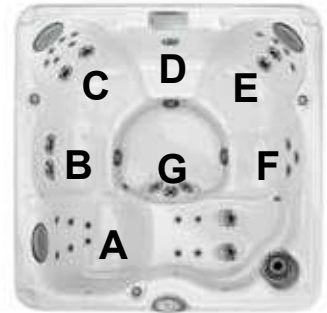


Dimensions/specifications subject to change without notice. Tolerance $\pm 0.5"$ (1.27 cm)

Jacuzzi J-235

Specifications

Seating Capacity	6 Adults
Dimensions	84" x 84" x 36" (213.5 cm x 213.5 cm x 91.5 cm); For Complete Dimensions, See page 104
Dry Weight	718 lbs (326 kg)
Filled Weight (Spa Volume)	4,554 lbs (2,066 kg)
Filled Weight (Average Fill)	3,720 lbs (1,688 kg)
Water Capacity (Spa Volume)	460 US gallons (1,741 Liters)
Water Capacity (Average Fill)	360 US gallons (1,363 Liters)
Electronic Controls	Solid state electronic controls with LED readout, programmable temperature, filtration, and heat cycles
Pump 1	North America (60 Hz): 2-Speed, 4.5 HP brake, 2.5 HP continuous, 56 Frame Export (50 Hz):.....2-Speed, 2.0 HP continuous
Pump 2	North America (60 Hz): 1-Speed, 4.8 HP brake, 2.5 HP continuous, 56 Frame Export (50 Hz):.....1-Speed, 2.0 HP continuous
Circulation Pump	No
Total Jets	35
Seat A Jets	2 Classic PRO Directional, 4 Classic PRO Pulsating, 6 Classic PRO Accu-Pressure
Seat B Jets	2 Classic PRO Power Rotopulse
Seat C Jets	2 Classic PRO Power Rotator, 2 Classic PRO Pulsating, 4 Classic PRO Accu-Pressure
Seat D Jets	1 Classic PRO Power Multiport
Seat E Jets	2 Classic PRO Duo Rotator, 4 Classic PRO Accu-Pressure
Seat F Jets	2 Classic PRO Power Multiport, 1 Classic PRO Duo Rotator
Footwell (G)	3 Classic PRO Directional
Massage Selectors	None
Air Controls	3
Water Management System	One 50 ft ² filter cartridge on jets pump 1, Factory installed CLEARRAY® Water Purification System Export (50 Hz):.....Factory installed CLEARRAY® Water Purification System
LED Lighting	Classic lighting package of 10 LED lights
Synthetic Cabinet Colors	Silverwood, Roasted Chestnut, Brazilian Teak
Acrylic Colors	Platinum, Silver Pearl, Sahara, Monaco, Midnight, Porcelain
Headrests	3
Electrical Requirements:	North America (60 Hz): 240 VAC@40A, 50A or 60A Export (50 Hz): 230-240 VAC@20A, 30A or 40A, or suitably rated circuit breaker to comply with local electrical codes. Certain countries may require dual power inputs; two GFCI RCD breakers are required for this configuration.
Warranty*	North America (60 Hz): 5 Years Shell, 3 Years Shell Surface, 3 Years Plumbing Component Leaks, 3 Years Equipment and Controls; 1 Year Cabinet, 1 Year Jets, 1 Year Stereo Export (50 Hz): 5 Years Shell, 3 Years Shell Surface, 3 Years Plumbing Component Leaks, 3 Years Equipment and Controls, 1 Year Cabinet, 1 Year Jets, 2 Years Stereo
Special Features (Optional)	SmartTub™ Module
Audio System (Optional)	N/A
Alternative Insulation (Option): ..	Yes



*(See Warranty Document for Specific Details)

Dimensions/Specifications are Subject to Change Without Notice

Jacuzzi J-235

Operation/Seat Depths



Air Control 2:
Opens/Closes
Air Inlet to Jet
Group B

Air Control 3:
Opens/Closes
Air Inlet to Jet
Group C

Waterfall can be
turned off at the
waterfall. Flow
valve on side of
waterfall.

Group A Jets are
always on when
Pump 1 is running.

Group B and C Jets
are always on when
Pump 2 is running.

Air Control 1:
Opens/Closes
Air Inlet to Jet
Group A

35 Total Jets



Classic
PRO
Accu-
Pressure
Jets (14)



Classic
PRO
Pulsating
Jets (6)



Classic
PRO Duo
Rotator
Jets (3)



Classic
PRO
Directional
Jets (5)



Classic
PRO
Power
Rotator
Jet (2)



Classic
PRO
Power
Rotopulse
Jet (2)



Classic
PRO
Power
Multiport
Jet (3)

Spa Operation Subject to Change without Notice

Seat Depths

A = 25.75" (65.4 cm)

B = 25.00" (63.5 cm)

C = 26.50" (67.3 cm)

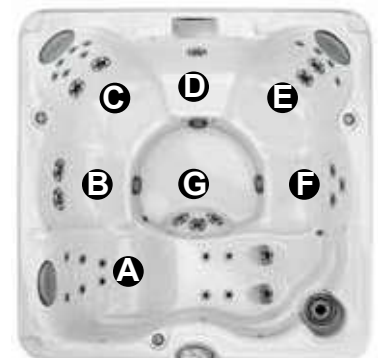
D = 22.00" (55.9 cm)

E = 25.25" (64.1 cm)

F = 24.00" (60.9 cm)

G = 32.00" (81.3 cm)

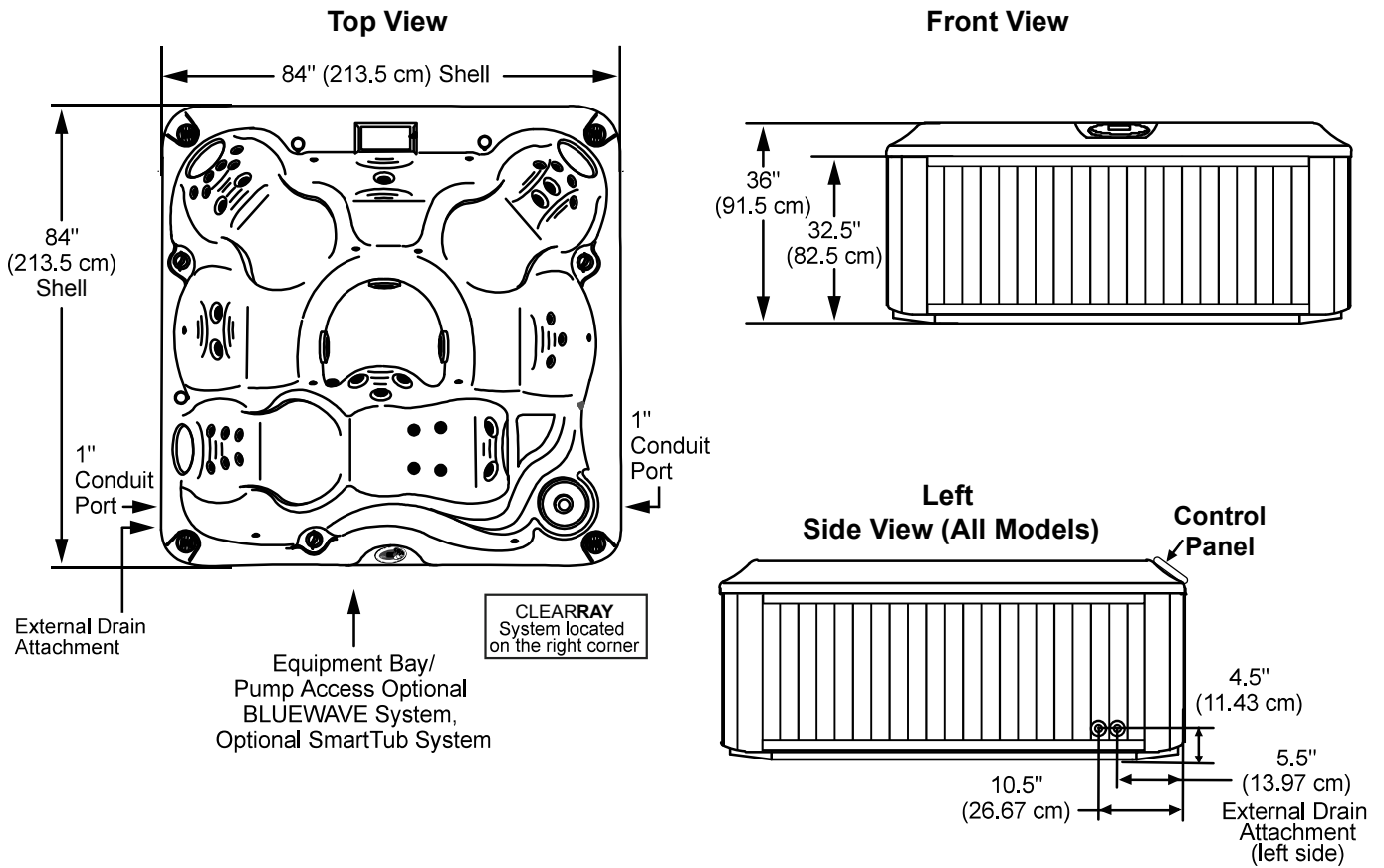
Listed dimensions
represent distance from
top of acrylic to lowest
point in seat. Tolerance
± 0.5" (1.27 cm).



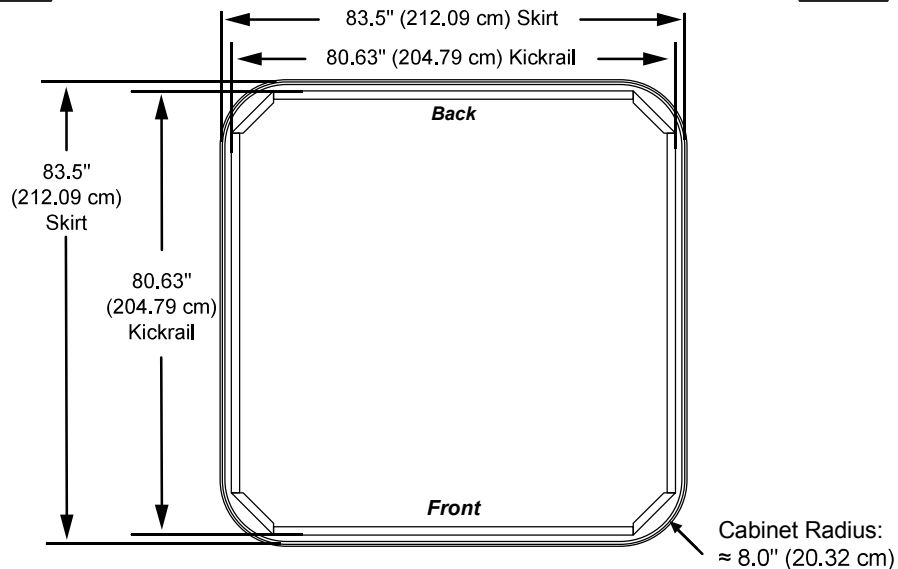
Dimensions/Specifications are Subject to Change Without Notice

Jacuzzi J-235

Dimensions




IMPORTANT! Always measure each hot tub for exact dimensions BEFORE designing its foundational support and/or decking.



Dimensions/specifications subject to change without notice. Tolerance $\pm 0.5"$ (1.27 cm)

Jacuzzi J-225

Specifications

Seating Capacity	4-5 Adults	
Dimensions	84" x 76" x 34.5" (213 cm x 193 cm x 87 cm); For Complete Dimensions, See page 104	
Dry Weight	562 lbs (255 kg)	
Filled Weight (Spa Volume)	4,219 lbs (1,914 kg)	
Filled Weight (Average Fill)	3,517 lbs (1,596 kg)	
Water Capacity (Spa Volume) ...	438 US gallons (1,658 Liters)	
Water Capacity (Average Fill) ...	354 US gallons (1,340 Liters)	
Electronic Controls	Solid state electronic controls with LED readout, programmable temperature, filtration, and heat cycles	
Pump 1	North America (60 Hz): 2-Speed, 2.5 HP brake, 1.5 HP continuous, 48 Frame	
Export (50 Hz):	2-Speed, 2.0 HP continuous	
Circulation Pump	No	
Total Jets	23	
Seat A Jets	3 Classic Mini	
Seat B Jets	6 Classic Mini	
Seat C Jets	4 Classic Direct, 2 Classic Luxury	
Seat D Jets	4 Classic Rotational	
Footwell (E)	4 Classic Euro	
Massage Selectors	None	
Air Controls	4	
Water Management System	One 50 ft ² filter cartridge on jets pump 1, Factory installed CLEARRAY® Water Purification System	
Export (50 Hz):	Factory installed CLEARRAY® Water Purification System	
LED Lighting	6 LED bullet lights (4 above water; 2 underwater)	
Synthetic Cabinet Colors	Silverwood, Roasted Chestnut, Brazilian Teak	
Acrylic Colors	Platinum, Silver Pearl, Sahara, Monaco, Midnight, Porcelain	
Headrests	3	
Electrical Requirements:	North America (60 Hz): 120V@15A (GFCI cord) 240 VAC@30A or 40A Export (50 Hz): 230-240 VAC@20A or 30A, or suitably rated circuit breaker to comply with local electrical codes. Certain countries may require dual power inputs; two GFCI RCD breakers are required for this configuration.	
Warranty*	North America (60 Hz): 5 Years Shell, 3 Years Shell Surface, 3 Years Plumbing Component Leaks, 3 Years Equipment and Controls; 1 Year Cabinet, 1 Year Jets, 1 Year Stereo Export (50 Hz): 5 Years Shell, 3 Years Shell Surface, 3 Years Plumbing Component Leaks, 3 Years Equipment and Controls, 1 Year Cabinet, 1 Year Jets, 2 Years Stereo	
Special Features (Optional)	SmartTub™ Module	
Audio System (Optional)	N/A	
Alternative Insulation (Option): ..	Yes	

*(See Warranty Document for Specific Details)

Dimensions/Specifications are Subject to Change Without Notice

Jacuzzi J-225

Operation/Seat Depths



Air Control 2:
Opens/Closes
Air Inlet to Jets B

Air Control 1:
Opens/Closes
Air Inlet to Jets
A and E

Air Control 3:
Opens/Closes
Air Inlet to Jets C

Air Control 4:
Opens/Closes
Air Inlet to Jets
D and F

Jets and waterfall
are always on when
the Jets Pump 1 is
running.

23 Total Jets



Classic
Euro
Jets (4)



Classic
Direct
Jets (4)



Classic
Mini
Jets (9)



Classic
Luxury
Jets (2)



Classic
Rotational
Jets (4)

Spa Operation Subject to Change without Notice

Seat Depths

A = 25.50" (64.7 cm)

B = 27.50" (69.9 cm)

C = 27.50" (69.9 cm)

D = 27.40" (69.6 cm)

E = 30.25" (76.8 cm)

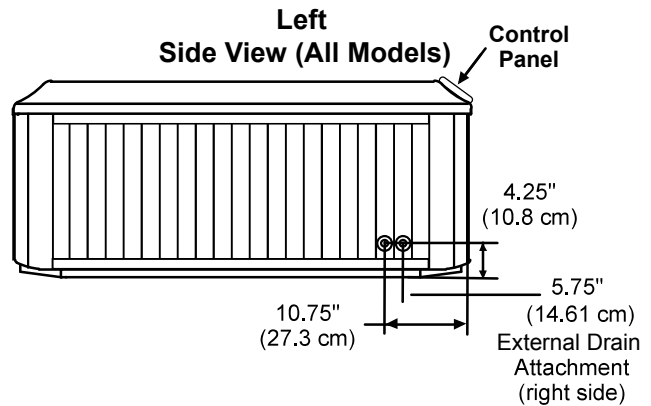
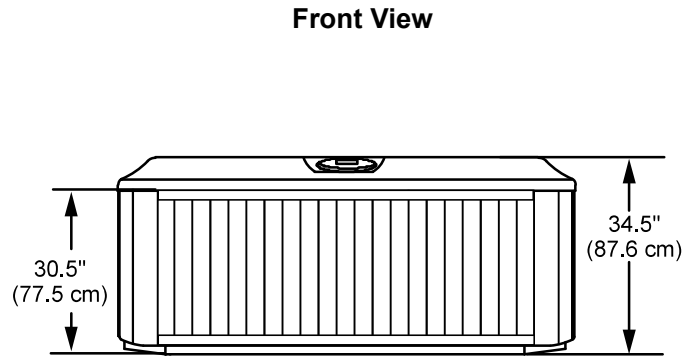
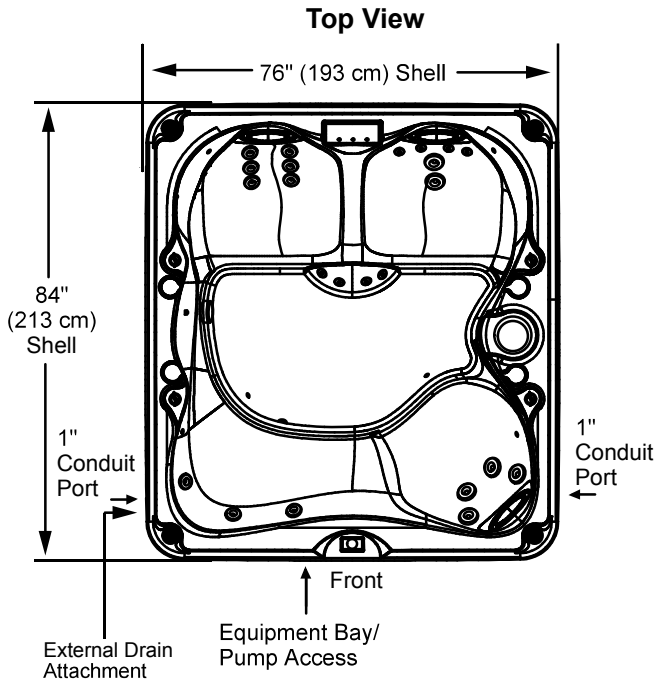
Listed dimensions
represent distance from
top of acrylic to lowest
point in seat. Tolerance
 $\pm 0.5"$ (1.27 cm).



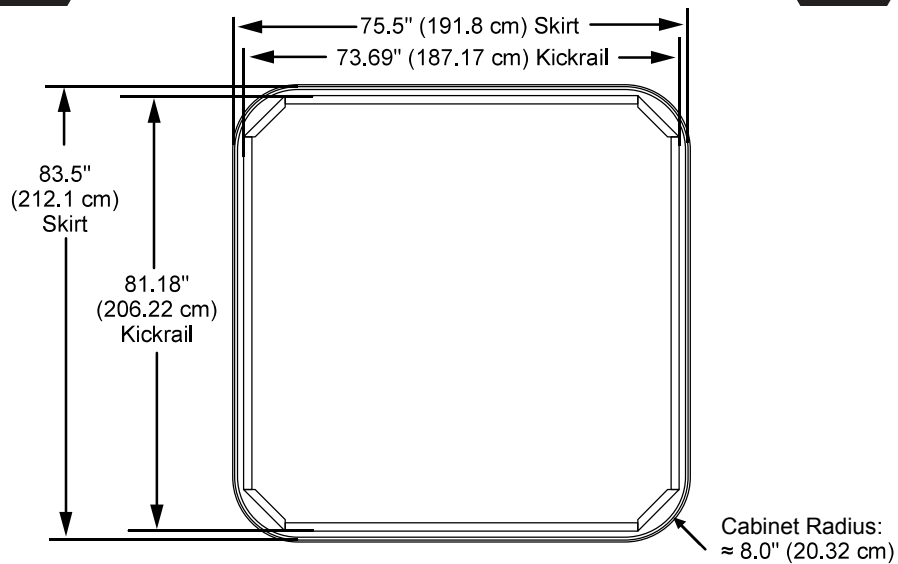
Dimensions/Specifications are Subject to Change Without Notice

Jacuzzi J-225

Dimensions



IMPORTANT! Always measure each hot tub for exact dimensions BEFORE designing its foundational support and/or decking.



Dimensions/specifications subject to change without notice. Tolerance $\pm 0.5"$ (1.27 cm)

Jacuzzi J-215

Specifications

Seating Capacity	2-3 Adults
Dimensions	66" x 76" x 32" (168 cm x 193 cm x 81 cm); For Complete Dimensions, See page 104
Dry Weight	492 lbs (223 kg)
Filled Weight (Spa Volume)	2,780 lbs (1,261 kg)
Filled Weight (Average Fill)	2,329 lbs (1,056 kg)
Water Capacity (Spa Volume) ...	274 US gallons (1,037 Liters)
Water Capacity (Average Fill) ...	220 US gallons (833 Liters)
Electronic Controls	Solid state electronic controls with LED readout, programmable temperature, filtration, and heat cycles
Pump 1	North America (60 Hz): 2-Speed, 2.5 HP brake, 1.5 HP continuous, 48 Frame Export (50 Hz): 2-Speed, 2.0 HP continuous
Circulation Pump	No
Total Jets	19
Seat A Jets	4 Classic Direct
Seat B Jets	6 Classic Euro, 4 Classic Pulsator, 2 Classic Rotational
Seat C Jets	4 Classic Mini
Massage Selectors	None
Air Controls	3
Water Management System	One 50 ft ² filter cartridge on jets pump 1, Factory installed CLEARARRAY® Water Purification System Export (50 Hz): Factory installed CLEARARRAY® Water Purification System
LED Lighting	6 LED bullet lights (4 above water; 2 underwater)
Synthetic Cabinet Colors	Silverwood, Roasted Chestnut, Brazilian Teak
Acrylic Colors	Platinum, Silver Pearl (Gypsum), Monaco, Midnight, Sahara, Porcelain
Headrests	1
Electrical Requirements:	North America (60 Hz): 120V@15A (GFCI cord) 240 VAC@30A or 40A Export (50 Hz): 230-240 VAC@20A or 30A, or suitably rated circuit breaker to comply with local electrical codes. Certain countries may require dual power inputs; two GFCI RCD breakers are required for this configuration.
Warranty*	North America (60 Hz): 5 Years Shell, 3 Years Shell Surface, 3 Years Plumbing Component Leaks, 3 Years Equipment and Controls; 1 Year Cabinet, 1 Year Jets, 1 Year Stereo Export (50 Hz): 5 Years Shell, 3 Years Shell Surface, 3 Years Plumbing Component Leaks, 3 Years Equipment and Controls, 1 Year Cabinet, 1 Year Jets, 2 Years Stereo
Special Features (Optional)	SmartTub™ Module
Audio System (Optional)	N/A
Alternative Insulation (Option): ..	Yes



*(See Warranty Document for Specific Details)

Dimensions/Specifications are Subject to Change Without Notice

Jacuzzi J-215

Operation/Seat Depths

Air Control 2:
Opens/Closes
Air Inlet to Jets B



Jets and waterfall are always on when the Jets Pump 1 is running.

Air Control 1:
Opens/Closes
Air Inlet to Jets A

Air Control 3:
Opens/Closes
Air Inlet to Jets C

19 Total Jets



Classic Euro Jets (6)



Classic Direct Jets (4)



Classic Pulsator Jets (4)



Classic Mini Jets (3)



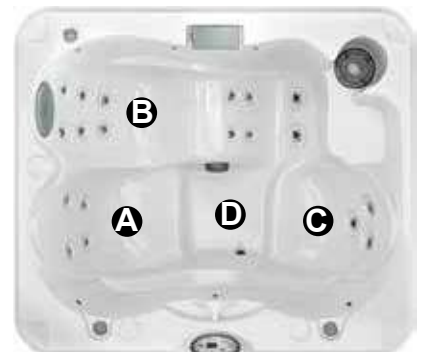
Classic Rotational Jets (2)

Spa Operation Subject to Change without Notice

Seat Depths

- A = 28.25" (71.8 cm)**
- B = 27.00" (68.6 cm)**
- C = 27.50" (69.9 cm)**
- D = 28.70" (73.2 cm)**

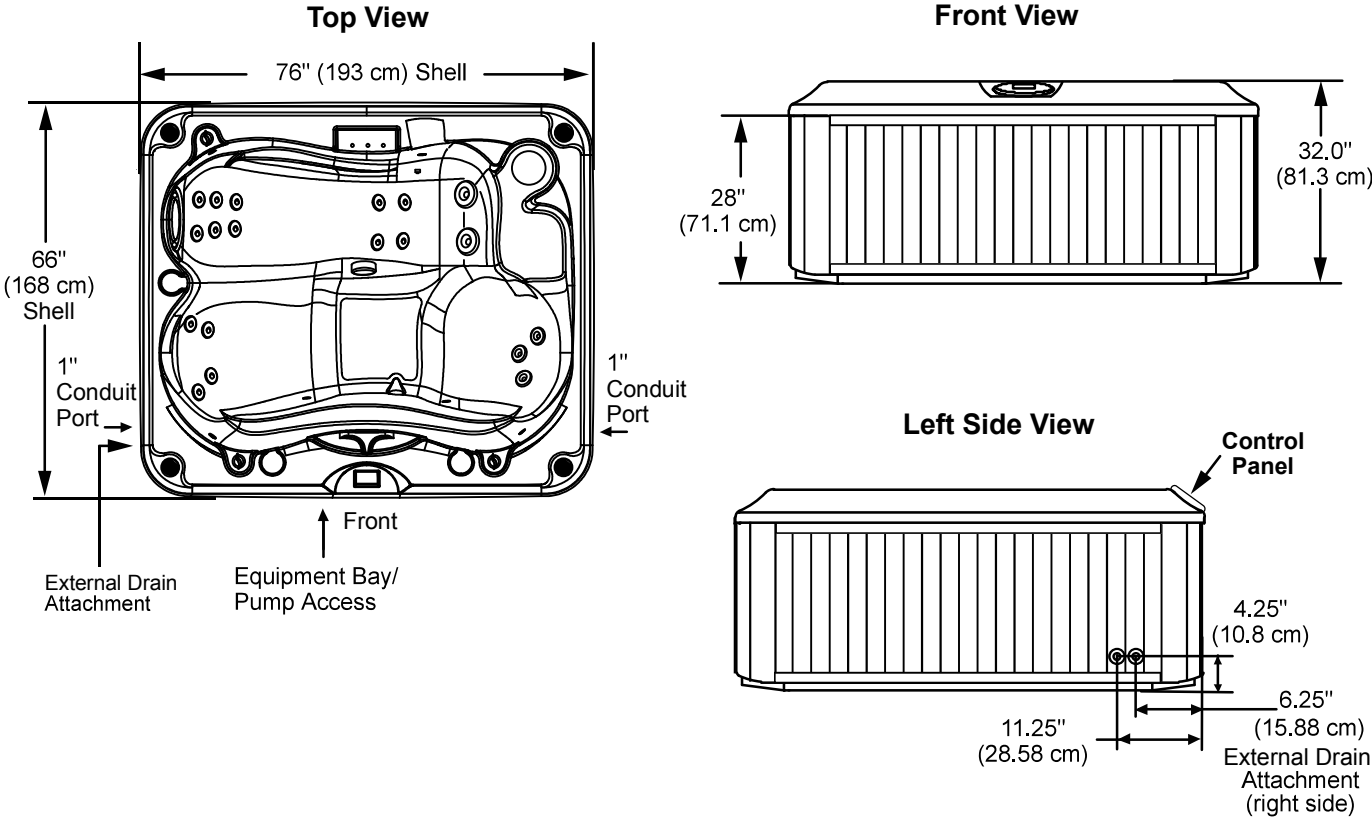
Listed dimensions represent distance from top of acrylic to lowest point in seat. Tolerance $\pm 0.5"$ (1.27 cm).



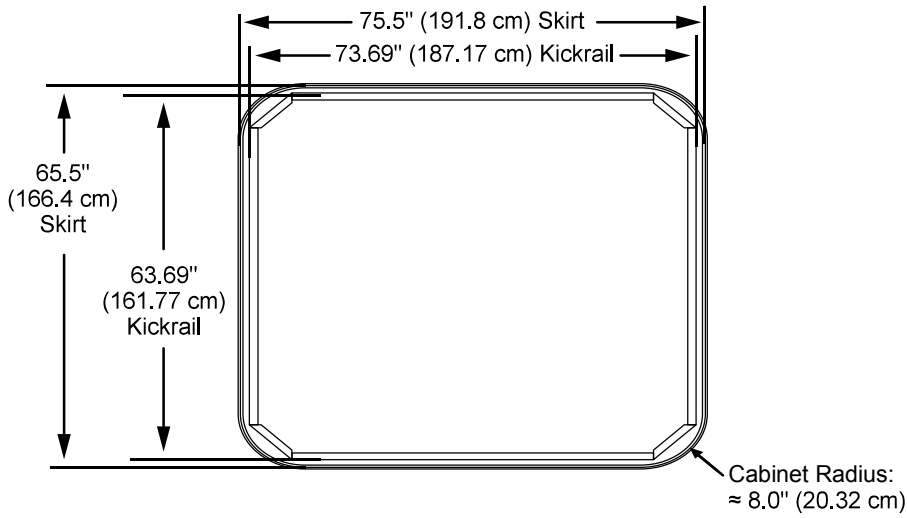
Dimensions/Specifications are Subject to Change Without Notice

Jacuzzi J-215

Dimensions



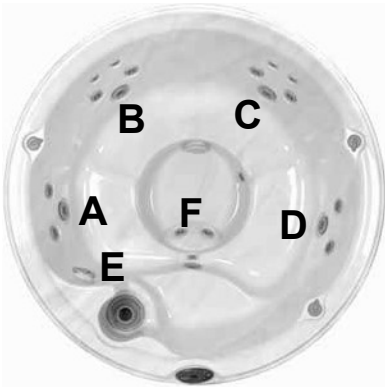
IMPORTANT! Always measure each hot tub for exact dimensions BEFORE designing its foundational support and/or decking.



Dimensions/specifications subject to change without notice. Tolerance $\pm 0.5"$ (1.27 cm)

Jacuzzi J-210

Specifications

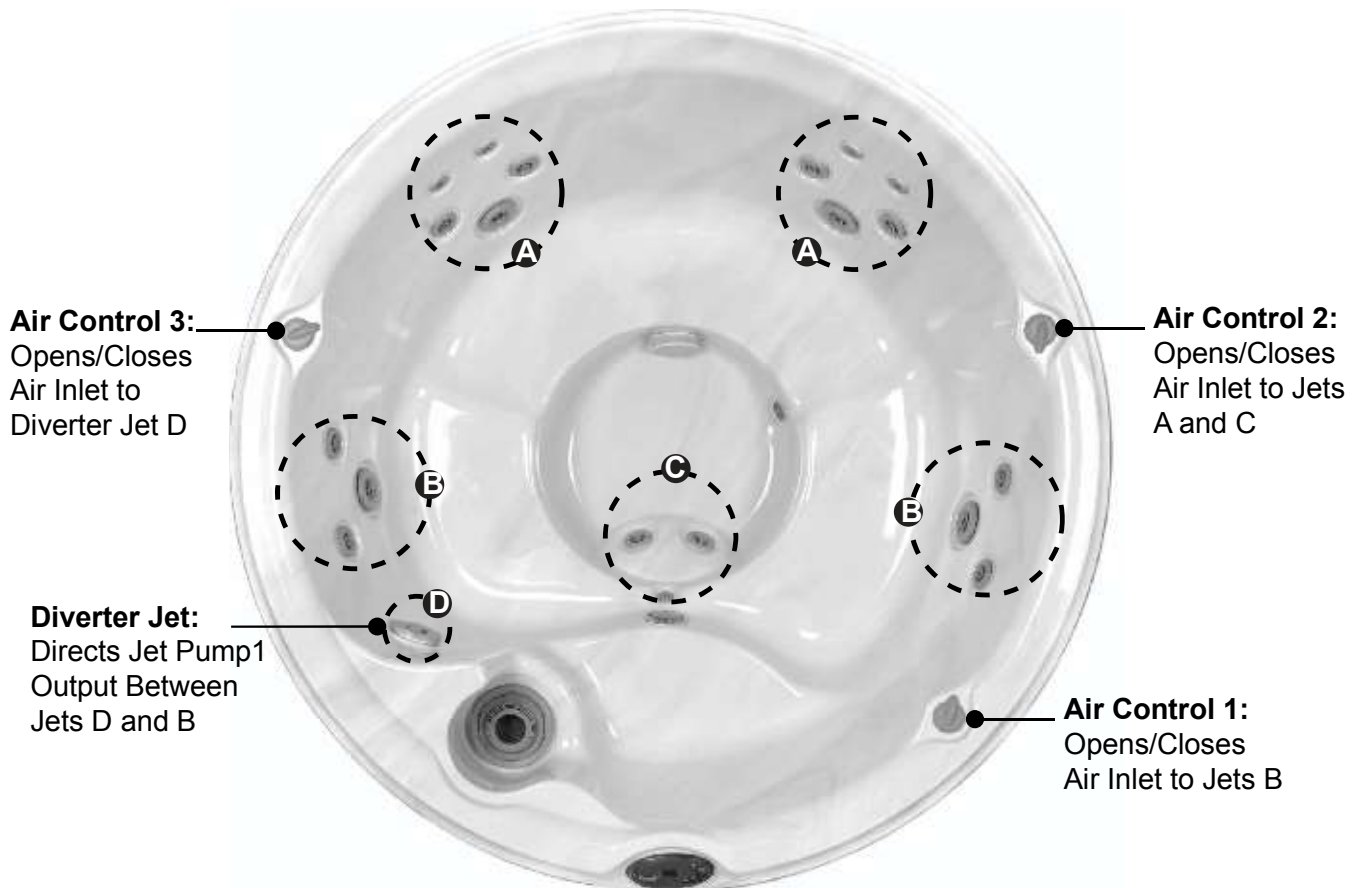
Seating Capacity	4 Adults	
Dimensions	78" Round x 36" Deep (198 cm Round x 91.5 cm); For Complete Dimensions, See page 104	
Dry Weight	527 lbs (239 kg)	
Filled Weight (Spa Volume)	3,112 lbs (1,412 kg)	
Filled Weight (Average Fill)	2,529 lbs (1,147 kg)	
Water Capacity (Spa Volume) ...	310 US gallons (1,173 Liters)	
Water Capacity (Average Fill) ...	240 US gallons (908 Liters)	
Electronic Controls	Solid state electronic controls with LED read-out, programmable temperature, filtration, and heat cycles	
Pump 1	North America (60 Hz): 2-Speed, 2.5 HP brake, 1.5 HP continuous; 48 Frame Export (50 Hz): 2-Speed, 2.0 HP continuous	
Total Jets	19	
Seat A	2 Classic Mini, 1 Classic Luxury	
Seat B	2 Classic Direct, 2 Classic Mini, 1 Classic Luxury	
Seat C	2 Classic Direct, 2 Classic Mini, 1 Classic Luxury	
Seat D	2 Classic Mini, 1 Classic Luxury	
Diverter Jet (E)	1	
Footwell (F)	2 Classic Mini	
Air Controls	3	
Water Management System	One 50 ft ² filter cartridge; Factory installed CLEARRAY® Water Purification System Export (50 Hz): Factory installed CLEARRAY® Water Purification System	
Lighting	Underwater multi-color LED lights	
Synthetic Cabinet Colors	Silverwood, Roasted Chestnut, Brazilian Teak	
Acrylic Colors	Platinum, Silver Pearl (Gypsum), Monaco, Midnight, Sahara, Porcelain	
Electrical Requirements	North America (60 Hz): 120 VAC@15A or 240 VAC@30A or 40A, Export (50 Hz): 230 VAC@20A or 30A, or suitably rated circuit breaker to comply with local electrical codes. Certain countries may require dual power inputs; two GFCI RCD Breakers are required for this configuration.	
Warranty*	North America (60 Hz): 5 Years Shell, 3 Years Shell Surface, 3 Years Plumbing Component Leaks, 3 Years Equipment and Controls, 1 Year Cabinet, 1 Year Jets Export (50 Hz): 5 Years Shell, 3 Years Shell Surface, 3 Years Plumbing Component Leaks, 3 Years Equipment and Controls, 1 Year Cabinet, 1 Year Jets	
Special Features (Optional)	SmartTub™ Module	
Audio System (Optional)	N/A	

*(See Warranty Document for Specific Details)

Dimensions/Specifications are Subject to Change Without Notice

Jacuzzi J-210

Operation/Seat Depths



- **Jets A and C are Powered Continuously when Jets Pump 1 is running**

19 Total Jets

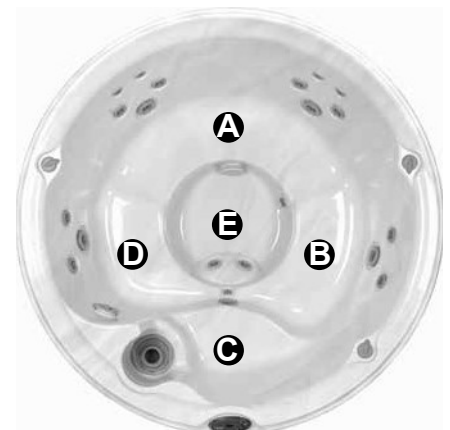


Spa Operation Subject to Change without Notice

Seat Depths

- A = 27.00" (68.6 cm)**
- B = 24.50" (62.2 cm)**
- C = 16.50" (41.9 cm)**
- D = 24.50" (62.2 cm)**
- E = 34.00" (86.4 cm)**

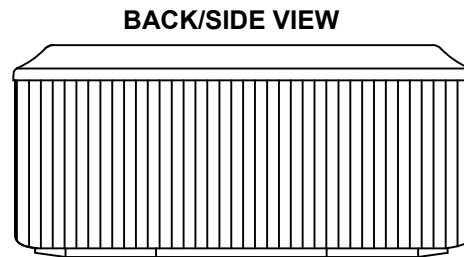
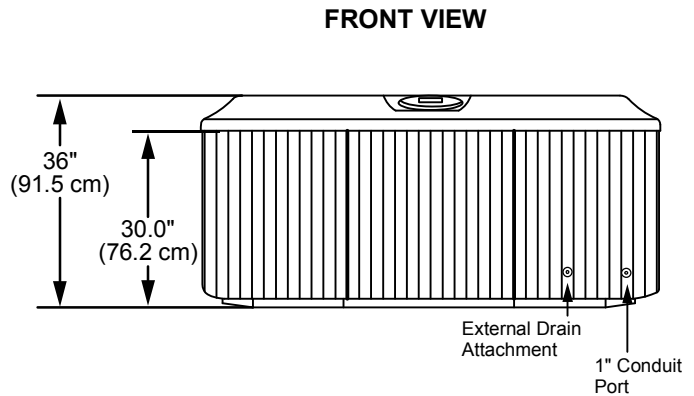
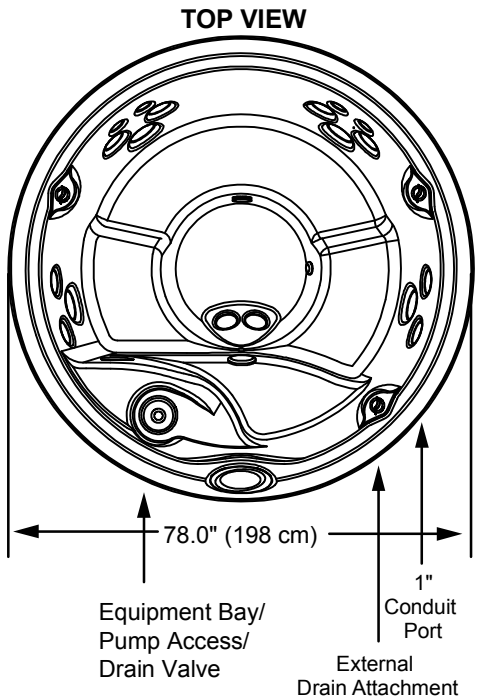
Listed Dimensions Represent
Distance from Top of Acrylic
to Lowest Point in Seat.
Tolerance $\pm 0.5"$ (1.27 cm).



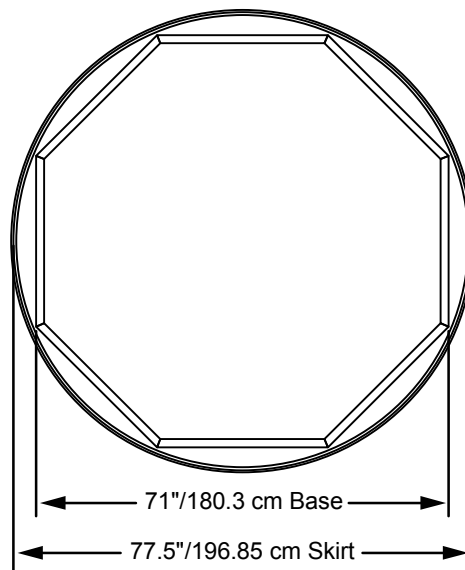
Dimensions/Specifications are Subject to Change Without Notice

Jacuzzi J-210

Dimensions



IMPORTANT! Always measure each hot tub for exact dimensions BEFORE designing its foundational support and/or decking.



Dimensions/specifications subject to change without notice. Tolerance $\pm 0.5"$ (1.27 cm)