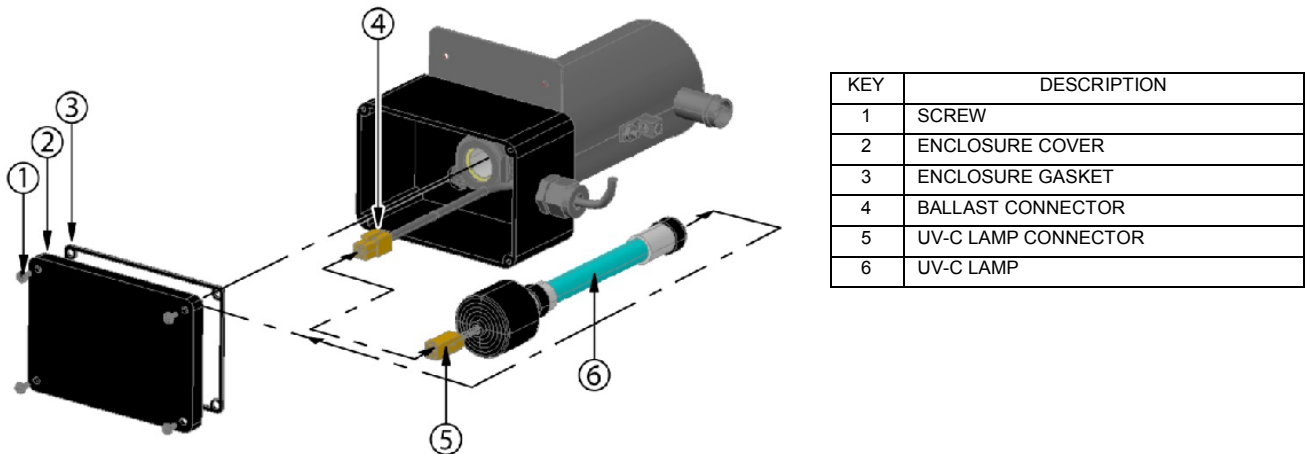


UV-C Lamp Replacement Instructions

Important: It is mandatory that the UV-C lamp to be replaced every 12 months to maintain optimum performance.



Note: Your UV System unit (not included) may look different than shown in the picture.

⚠ Danger: Turn the spa breaker to OFF position.

⚠ Danger: Allow UV-C lamp (6) to cool down prior to removing from the UV system.

⚠ Danger: Never look at the lit UV-C lamp (6). This can cause severe eye damage or blindness

Instructions:

1. Remove the UV system enclosure cover (2) by removing 4 phillips screws (1). Keep the gasket (3) together with enclosure cover (2) for later use.
2. Make sure to use latex glove (provided) when handling the UV-C lamp (6).
3. Slowly disconnect old UV-C lamp connector (5) from ballast connector (4).
4. Slowly remove old UV-C lamp (6) from the UV unit.
5. Slide the **NEW** UV-C lamp (6) into the UV unit.
6. Reconnect the **NEW** UV-C lamp connector (5) to the ballast connector (4). Make sure the connector mate completely. Do not use force.
7. Reinstall the enclosure cover (2) with gasket (3) and secure with screws (1).
8. Reconnect the unit to the spa controller and reinstall the spa controller's cover.
9. Turn ON the power to the spa.
10. Once power is activated you can check the ballast to see if the unit is functioning. A solid green light indicates the unit is being provided power and should always be on. A solid red light indicates that UV-C lamp is activated.

⚠ Warning: The UV-C lamp used in this unit contains mercury. Properly dispose the old UV-C lamp in accordance with disposal laws. See www.lamprecycle.org.