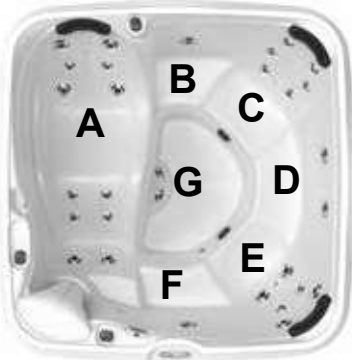


# Soul 40™ Jets

## Specifications

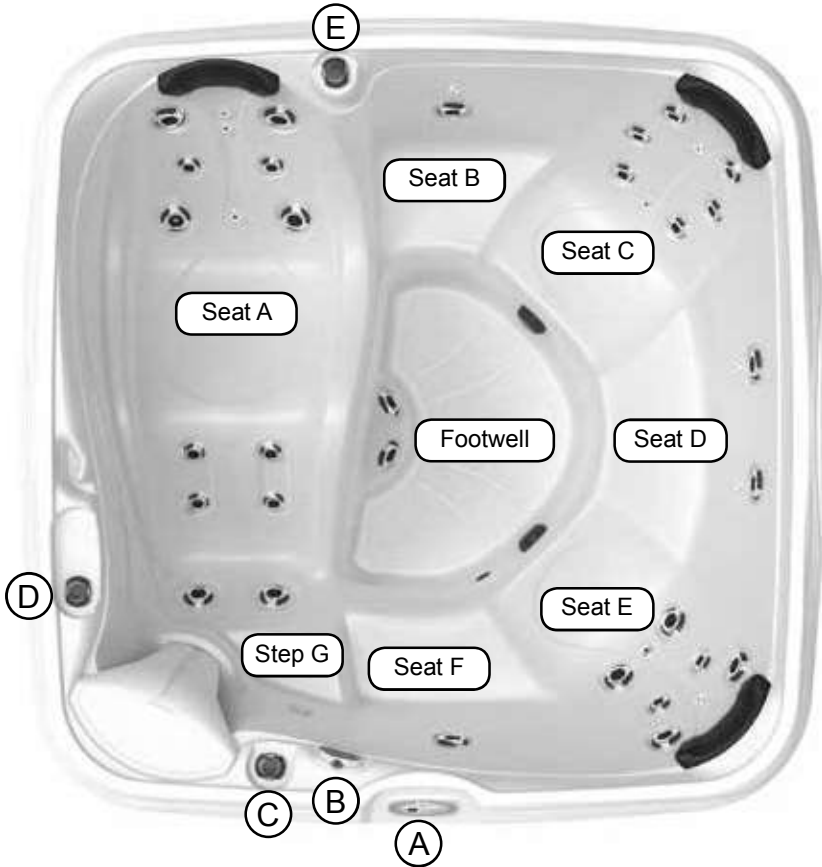
<b>Seating Capacity</b> .....	6 Adults	
<b>Dimensions</b> .....	78" x 78" x 36" (198 cm x 198 cm x 91 cm);	
<b>Dry Weight</b> .....	416 lbs (189 kg)	
<b>Filled Weight (Spa Volume)</b> .....	3,894 lbs (1,766 kg)	
<b>Filled Weight (Average Fill)</b> .....	3,001 lbs (1,361 kg)	
<b>Water Capacity (Spa Volume)</b> ...	417 US gallons (1,579 Liters)	
<b>Water Capacity (Average Fill)</b> ...	310 US gallons (1,173 Liters)	
<b>Electronic Controls</b> .....	Digital Touch Controller. Offers customizing of cleaning cycles and water temperature setting.	
<b>Pump 1</b> .....	North America (60 Hz): 2-Speed, 3.0 HPR continuous	
<b>Export (50 Hz):</b> .....	<b>N/A</b>	
<b>Pump 2</b> .....	North America (60 Hz): 1-Speed, 2.5 HPR continuous	
<b>Export (50 Hz):</b> .....	<b>N/A</b>	
<b>Circulation Pump</b> .....	N/A	
<b>Total Jets</b> .....	40	
<b>Seat A Jets</b> .....	6 DirectionalMax1, 6 DirectionalMax2, 3 DirectMiniMax	
<b>Seat B Jets</b> .....	1 DirectionalMax1, 1 DirectMiniMax	
<b>Seat C Jets</b> .....	6 DirectionalMax2, 2 DirectMiniMax	
<b>Seat D Jets</b> .....	2 DirectionalMax1, 2 DirectMiniMax	
<b>Seat E Jets</b> .....	4 DirectionalMax1, 2 DirectionalMax1, 2 DirectMiniMax	
<b>Seat F Jets</b> .....	1 DirectionalMax1	
<b>Footwell (G)</b> .....	2 DirectionalMax1	
<b>Massage Selectors</b> .....	N/A	
<b>Air Controls</b> .....	3	
<b>Water Management System</b> .....	One Easy Kleen 30 ft <sup>2</sup> filter cartridge; Optional factory installed Ozone	
<b>Export (50 Hz):</b> .....	<b>N/A</b>	
<b>LED Lighting</b> .....	Multicolor Waterfall light; Footwell light, Exterior corner lights (8 qty)	
<b>Shell/Cabinet Colors</b> .....	Mystic Sparkle, Tuscan Sparkle, Night Sparkle, Glacier Sparkle	
<b>Headrests</b> .....	3	
<b>Waterfalls</b> .....	One with independent flow rate (on or off) adjustment; powered by pump 1	
<b>Heater:</b> .....	Hi Flow 4kW	
<b>Export (50 Hz):</b> .....	<b>N/A</b>	
<b>Electrical Requirements:</b> .....	North America (60 Hz): 240 VAC@50A <b>Export (50 Hz): N/A</b>	
<b>Warranty*</b> .....	North America (60 Hz): 5 Years Shell, 5 Years Shell Surface, 1 Year Plumbing Component Leaks, 1 Year Equipment and Controls, 1 Year Cabinet, 1 Year Jets, 1 Year Lights;	
<b>Special Features</b> .....	Optional Suite Package Add-On	

\*(See Warranty Document for Specific Details)

Dimensions/Specifications are Subject to Change Without Notice

# Soul 40 Jets

## Operation/Seat Depths



- (A) Topside Control - Activate Jet Pumps, Light and Control Water Temperature
- (B) Water Feature Control - Controls Water Feature Output.
- (C) Air Control - Activates Seat D Jets (2 DirectionalMax1 Jets, 2 DirectMiniMax Jets), Seat E Jets (4 DirectionalMax1 Jets, 2 DirectionalMax2 Jets, 2 DirectMiniMax Jets), Seat F Jets (1 DirectionalMax1 Jets)
- (D) Air Control - Activates Seat A Jets (6 DirectionalMax1 Jets, 6 DirectionalMax2 Jets, 3 DirectMiniMax Jets)
- (E) Air Control - Activates Seat B Jets (1 DirectionalMax1 Jet, 1 DirectMiniMax Jet), Seat C Jets (6 DirectionalMax2 Jets, 2 DirectMiniMax Jets), Footwell Jets (2 DirectionalMax1 Jets)

### 40 Total Jets

DirectionalMax1 Jets (16)

DirectionalMax2 Jets (14)

DirectMiniMax Jets (10)



- Jet Pump 1: Seats B, C, D, E, F and footwell jets
- Jet Pump 2: Seat A

Spa Operation Subject to Change without Notice

**A = 25.75" (65.40 cm)**

**B = 24.50" (62.23 cm)**

**C = 28.00" (71.12 cm)**

**D = 24.75" (62.86 cm)**

**E = 26.50" (67.30 cm)**

**F = 23.25" (59.06 cm)**

**G = 19.00" (48.26 cm)**

**H = 34.50" (87.63 cm)**

## Seat Depths

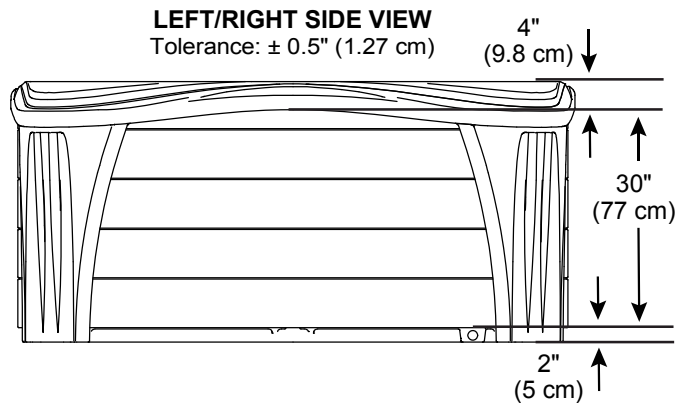
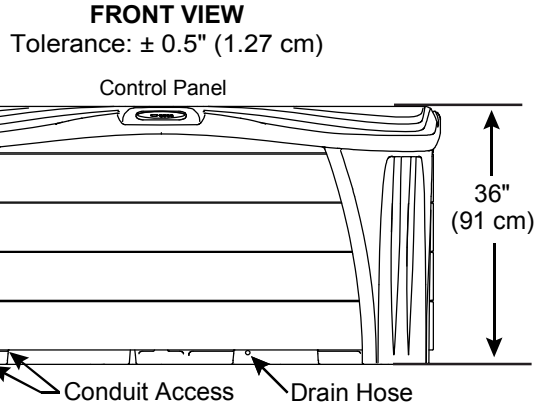
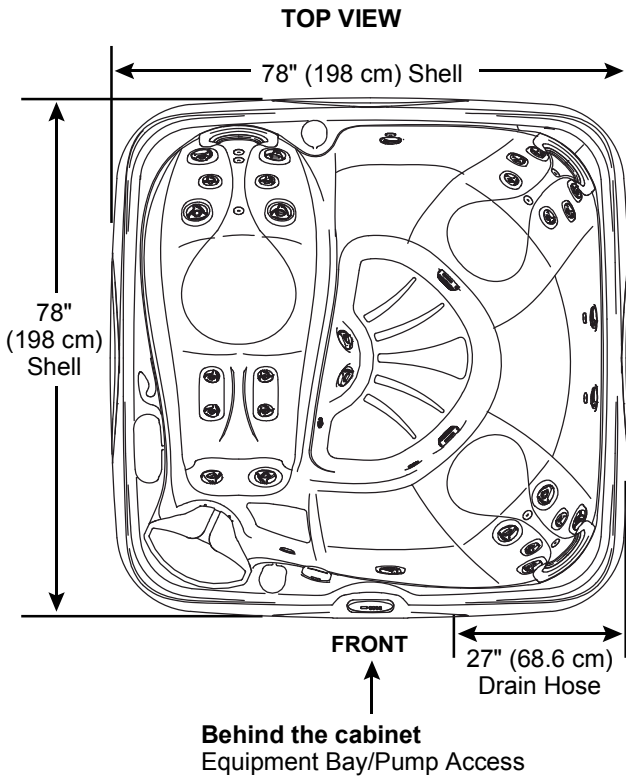
Listed dimensions represent distance from top of spa to lowest point in seat.  
Tolerance: ± 0.5" (1.27 cm)



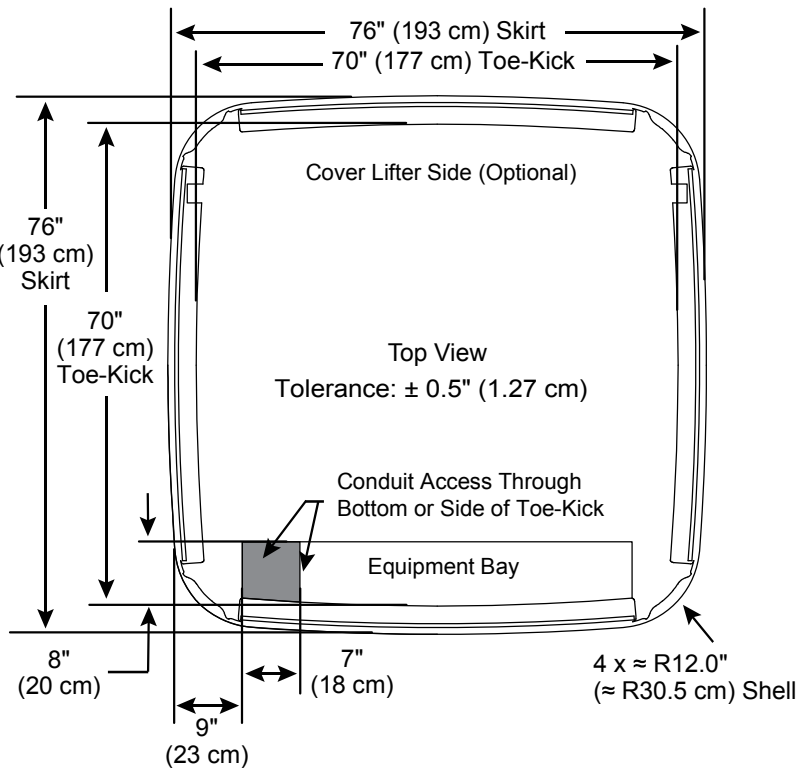
Dimensions/Specifications are Subject to Change Without Notice

# Soul 40 Jets

## Dimensions



**IMPORTANT! Always measure each hot tub for exact dimensions BEFORE designing its foundational support and/or decking.**



Dimensions/specifications subject to change without notice. Tolerance  $\pm 0.5"$  (1.27 cm)

# Echo 40™ Jets

## Specifications

<b>Seating Capacity</b> .....	6 Adults
<b>Dimensions</b> .....	78" x 78" x 36" (198 cm x 198 cm x 91 cm);
<b>Dry Weight</b> .....	472 lbs (214 kg)
<b>Filled Weight (Spa Volume)</b> .....	4,175 lbs (1,894 kg)
<b>Filled Weight (Average Fill)</b> .....	3,208 lbs (1,455 kg)
<b>Water Capacity (Spa Volume)</b> ...	444 US gallons (1,681 Liters)
<b>Water Capacity (Average Fill)</b> ...	328 US gallons (1,242 Liters)
<b>Electronic Controls</b> .....	Digital Touch Controller. Offers customizing of cleaning cycles and water temperature setting.
<b>Pump 1</b> .....	North America (60 Hz): 2-Speed, 3.0 HP continuous
<b>Export (50 Hz):</b> .....	<b>N/A</b>
<b>Pump 2</b> .....	North America (60 Hz): 1-Speed, 2.5 HP continuous
<b>Export (50 Hz):</b> .....	<b>N/A</b>
<b>Circulation Pump</b> .....	N/A
<b>Total Jets</b> .....	40
<b>Seat A Jets</b> .....	4 DirectionalMax1 Jets, 2 DirectionalMax2 Jets, 2 DirectMiniMax Jets
<b>Seat B Jets</b> .....	2 DirectionalMax1 Jets
<b>Seat C Jets</b> .....	8 DirectionalMax2 Jets, 4 DirectMiniMax Jets
<b>Seat D Jets</b> .....	6 DirectionalMax2 Jets, 2 DirectMiniMax Jets
<b>Seat E Jets</b> .....	2 DirectionalMax1 Jets
<b>Seat F Jets</b> .....	4 DirectionalMax1 Jets, 2 DirectionalMax2 Jets, 2 DirectMiniMax Jets
<b>Massage Selectors</b> .....	N/A
<b>Air Controls</b> .....	3
<b>Water Management System</b> .....	One Easy Kleen 30 ft <sup>2</sup> filter cartridge; Optional factory installed Ozone
<b>Export (50 Hz):</b> .....	<b>N/A</b>
<b>LED Lighting</b> .....	Multicolor waterfall light; Exterior corner light (white color only)
<b>Shell/Cabinet Colors</b> .....	Mystic Sparkle, Tuscan Sparkle, Night Sparkle, Glacier Sparkle
<b>Headrests</b> .....	4
<b>Waterfalls</b> .....	One with independent flow rate (on or off) adjustment; powered by pump 1
<b>Heater:</b> .....	Hi Flow 1.0kW/4kW
<b>Export (50 Hz):</b> .....	<b>N/A</b>
<b>Electrical Requirements:</b> .....	North America (60 Hz): 240 VAC@30A or 40A
	<b>Export (50 Hz): N/A</b>
<b>Warranty*</b> .....	North America (60 Hz): 5 Years Shell, 5 Years Shell Surface, 1 Year Plumbing Component Leaks, 1 Year Equipment and Controls, 1 Year Cabinet, 1 Year Jets, 1 Year Lights;
<b>Special Features</b> .....	N/A

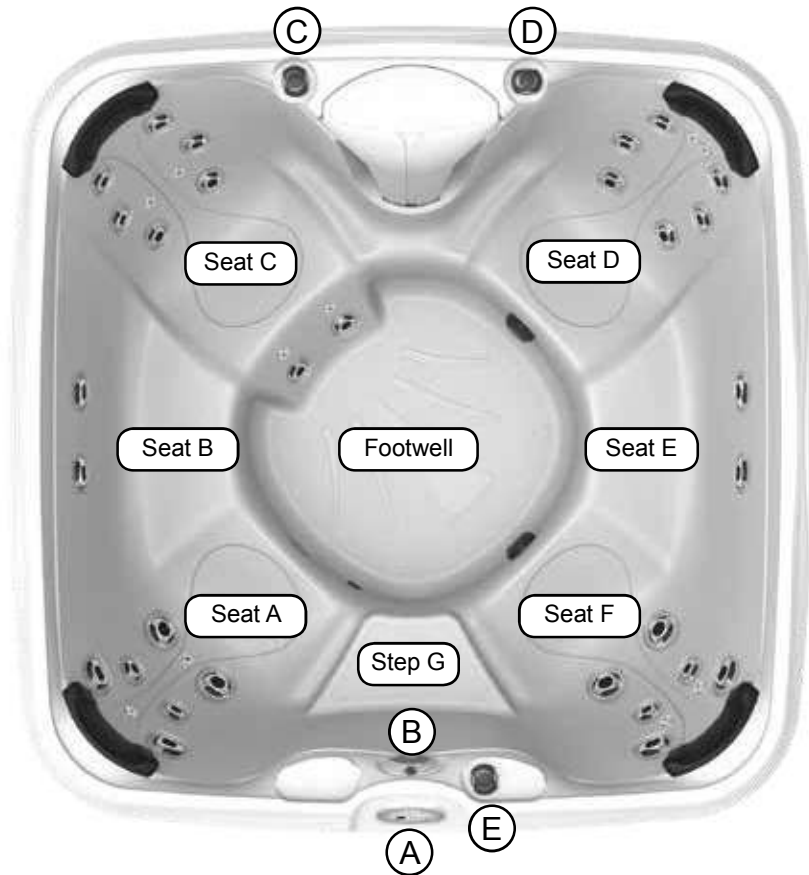


\*(See Warranty Document for Specific Details)

Dimensions/Specifications are Subject to Change Without Notice

# Echo 40 Jets

## Operation/Seat Depths



- (A) Topside Control - Activate Jet Pumps, Light and Control Water Temperature
- (B) Water Feature Control - Controls Water Feature Output.
- (C) Air Control - Activates Seat B Jets (2 DirectionalMax1 Jets), Seat C Jets (8 DirectionalMax2 Jets, 4 DirectMiniMax Jets)
- (D) Air Control - Activates Seat D Jets (6 DirectionalMax2 Jets, 2 DirectMiniMax Jets), Seat E Jets (2 DirectionalMax1 Jets)
- (E) Air Control - Activates Seat A Jets (4 DirectionalMax1 Jets, 2 DirectionalMax2 Jets, 2 DirectMiniMax Jets), Seat F Jets (4 DirectionalMax1 Jets, 2 DirectionalMax2 Jets, 2 DirectMiniMax Jets)

- Jet Pump 1: Seats A, D, E and F
- Jet Pump 2: Seats B and C

### 40 Total Jets

DirectionalMax1  
Jets (12)

DirectionalMax2  
Jets (18)

DirectMiniMax  
Jets (10)



Spa Operation Subject to Change without Notice

- A = 26.50" (67.30 cm)
- B = 24.75" (62.86 cm)
- C = 28.00" (71.12 cm)
- D = 28.00" (71.12 cm)
- E = 24.75" (62.86 cm)
- F = 26.50" (67.30 cm)
- G = 20.00" (50.80 cm)
- H = 34.50" (87.63 cm)

## Seat Depths

Listed dimensions represent distance from top of spa to lowest point in seat.  
Tolerance: ± 0.5" (1.27 cm)

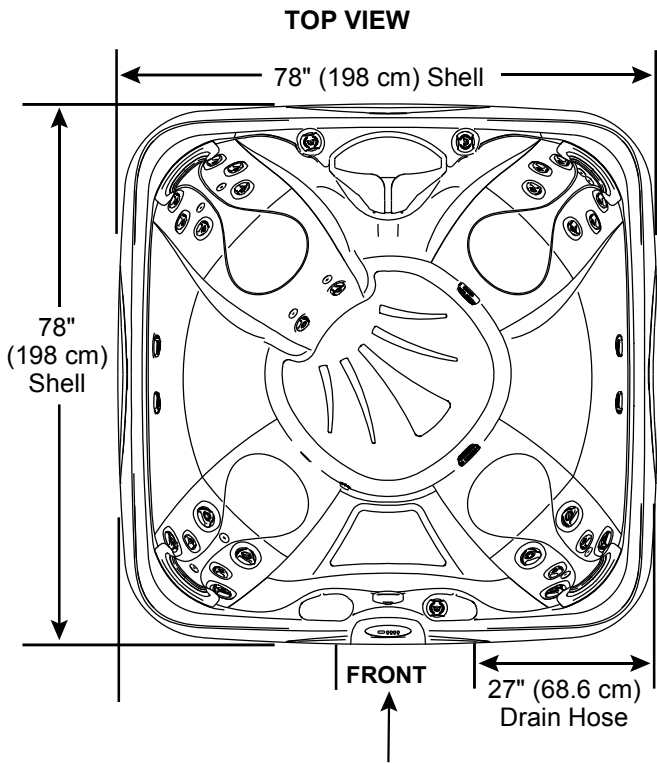


Dimensions/Specifications are Subject to Change Without Notice



# Echo 40 Jets

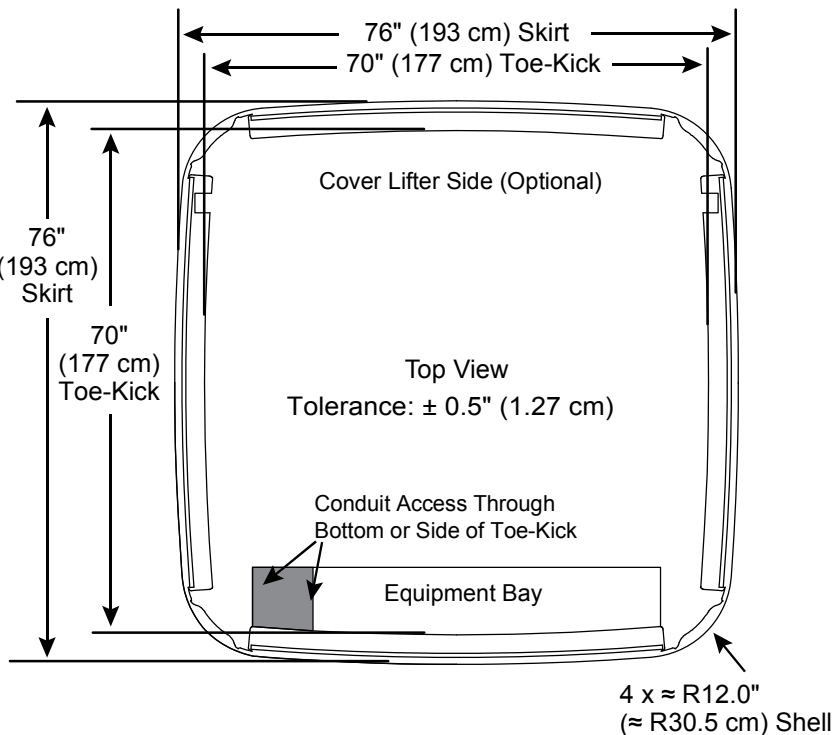
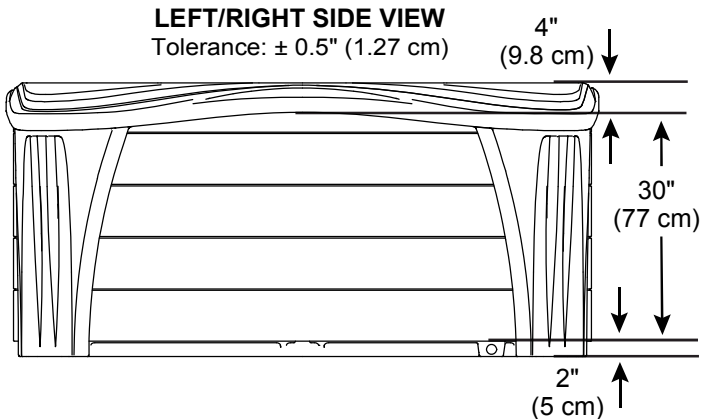
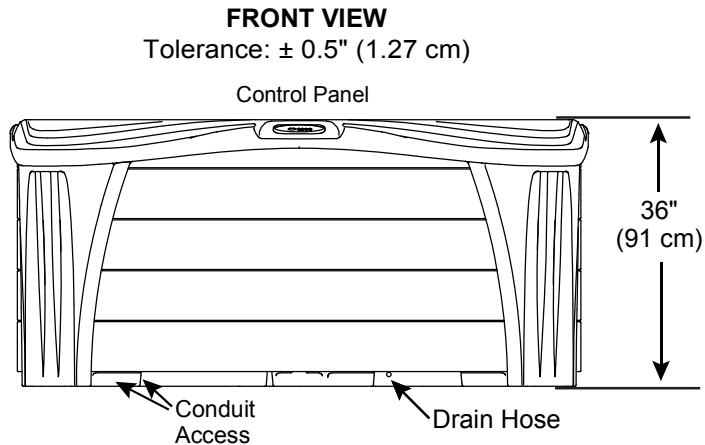
## Dimensions



Behind the cabinet  
Equipment Bay/Pump Access



**IMPORTANT! Always measure each hot tub for exact dimensions BEFORE designing its foundational support and/or decking.**



Dimensions/specifications subject to change without notice. Tolerance  $\pm 0.5"$  (1.27 cm)